

# SPECIFICATION Of 2200 Lumens

## All In One Solar Area Light

1. Light mode ODM is available
  2. FAS+ALS2.0 + VFT + TCS Technology for All Night Lighting even in Cloudy or Rainy Day
- Application : Residential area /pathway /Parking Lot /Private/road /Sidewalk /Public square



# SPECIFICATIONS

Model No.	SLL-18
Lumens	2200 lm
LED quantity	48 pcs Osram 3030
Power of solar panel	24 W
Battery Spec	222 WH
IP	IP 65
IK	IK 10
Charging time	10 hours
Lighting time	5-8 days
Discharging temperature	-20°C~60°C
Charging temperature	0°C~55°C
Switch light sensor	≥50 Lux,off ≤10 Lux,on
Light modes	Customized lighting modes for projects
Material	Aluminum alloy
Warranty	3 years

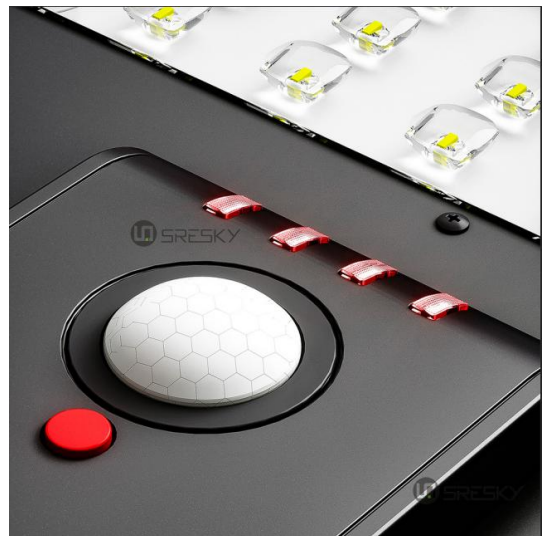


---

# WORKING PROCESS INSTRUCTIONS

---

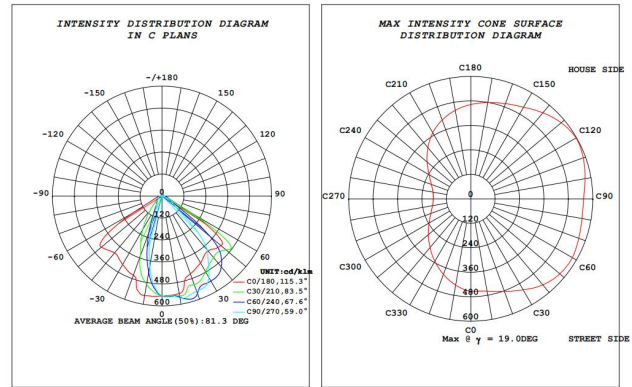
1. Power Li-ion battery, support 1500 times cycles
  2. Support horizontal and vertical installation
  3. Light Mode: accept ODM
  4. With PIR motion sensor
- 



# RECOMMEND DATA

Install Height: 4m ~ 5m

Installation Distance : 15m



New technology:

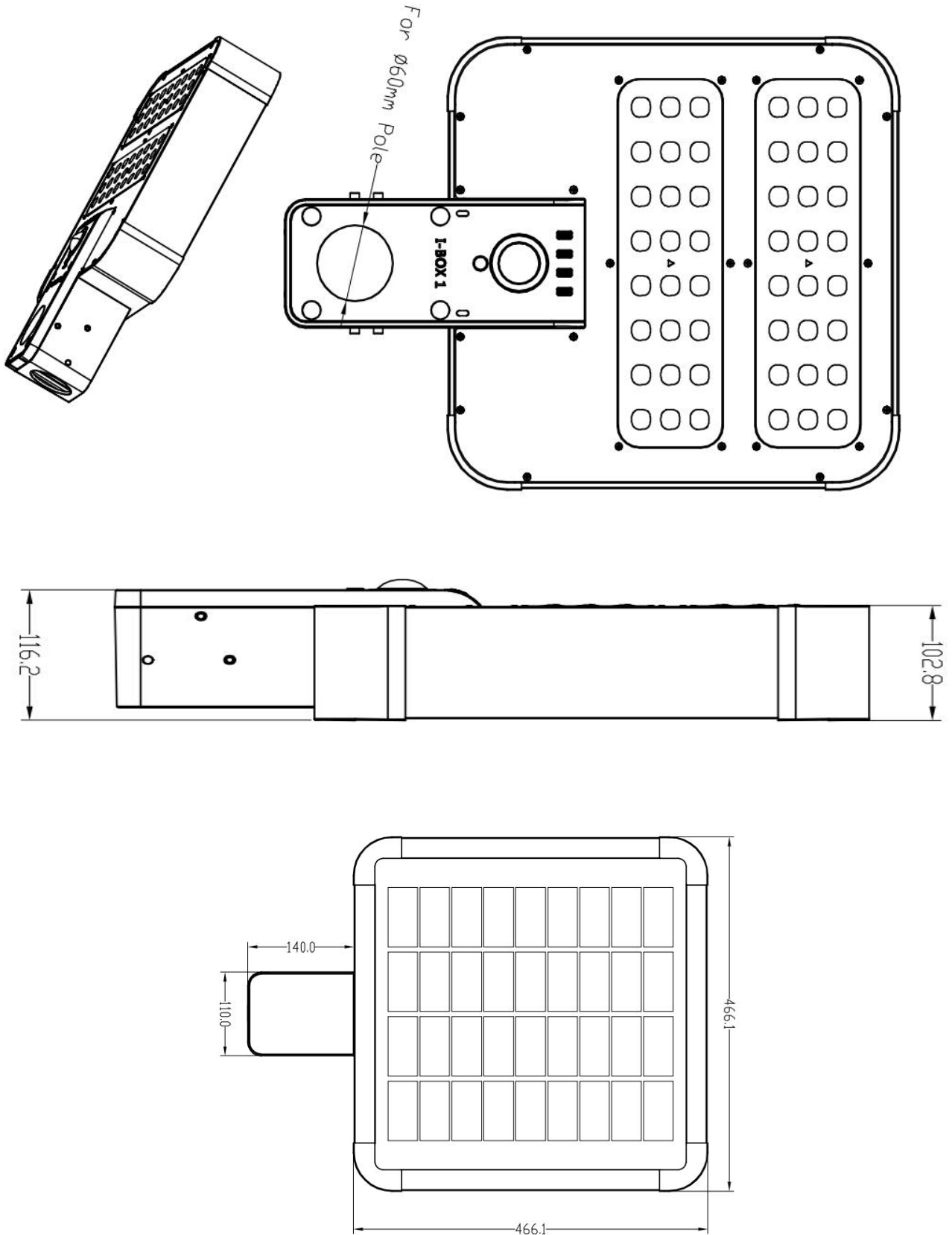
**ALS** (adaptive lighting system):When meet bad weather lack of enough sun charge,the system will do Smart timely calculation for the remaining battery capacity and give max output efficiency use to prolong lighting time

**TCS** (Temperature control system) when temperature over 65°C.TCS will cut off charging system to Protect battery,when below 65°C, charging system will continue to work automatically

**FAS** (Faulty alarm system) 4 indicators show solar panel, battery, led plate, controller, if the part is broken, the indicator will flash quickly, you will know which part is with problem



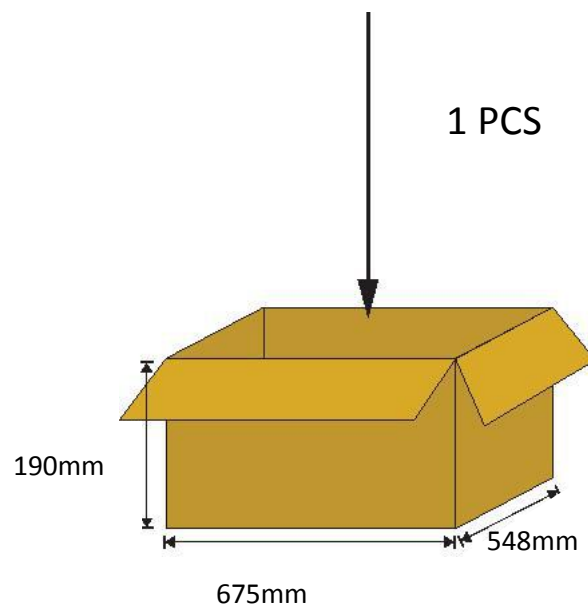
# RODUCT SIZE(MM)



---

# PRODUCT PACKAGING

## CARTON



Lamp Net Weight  
9.6KG