



Mars 7

Solar flood light



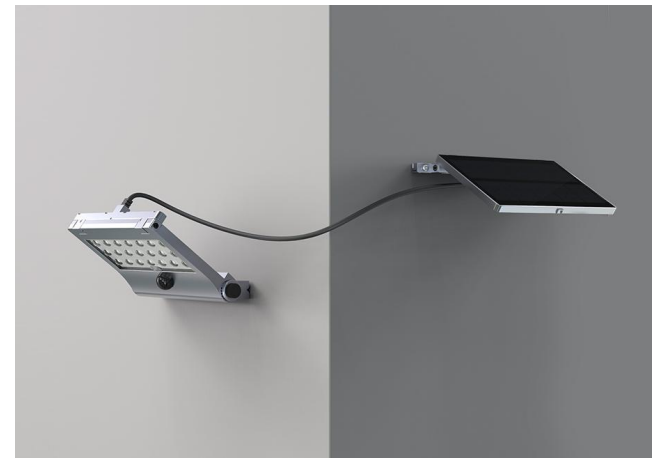
INTRODUCTION

Product specifications

01	FRONT COVER	02	CATALOG	03 ~ 07	MAIN ADVANTAGES
08	SPECIFICATIONS	09	OPTICAL FIGURE	10	DIMENTION FIGURE
11	MORE DETAILS	12	CORE TECHNOLOGY	13	INSTALLATION INSTRUCTIONS
14	PACKAGE DETAIL	15	APPLICATION		

Isolated solar panel available

—
Extension cable with 3 meters, customizable



Adjustable in both directions



The angle of the solar panel and the lamp body can be adjusted
(90° rotational symmetry)



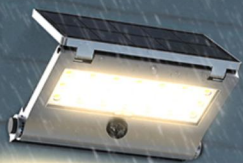
PIR——5m 120°

—

Highlight when people come, and light down when people go.



IP65 waterproof



ESL-51 Product Advantage

ALS Technology Guarantees 10 Continuous Working Nights
TCS Technology Ensures Longer Battery Lifespan

Integrated minimalist design
no wires exposed

It looks like a book when
closed.



4-speed dimming
mode to meet the
light demand of
different scenes



5 button distribution
Each mode has a
separate button
Easier to operate



ESL-52

Product Advantage

ALS Technology Guarantees 10 Continuous Working Nights
TCS Technology Ensures Longer Battery Lifespan

Use as a desk lamp

Can be used to stand on the table
stably with a stand



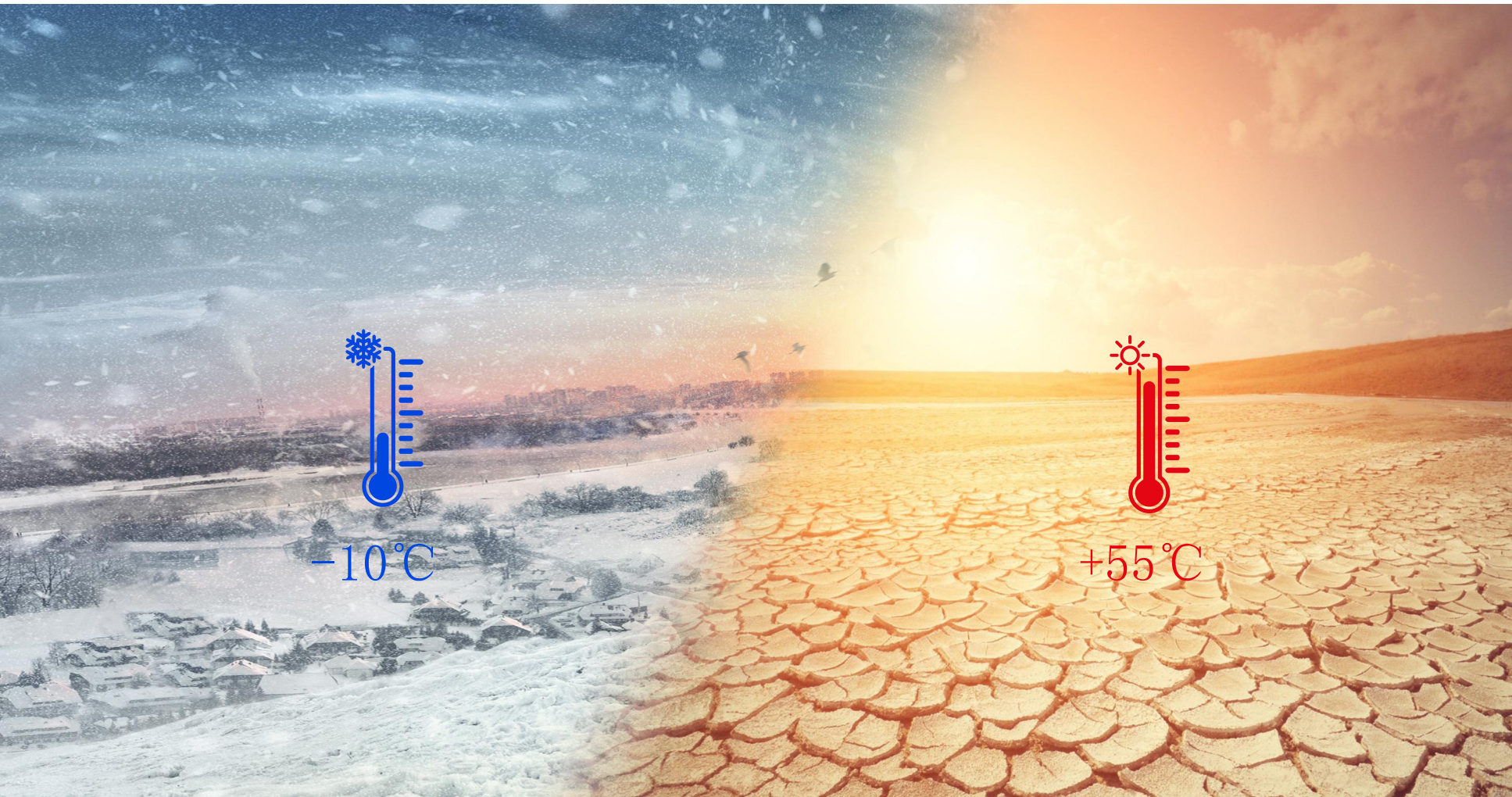
IP65 waterproof



$-10^{\circ}\text{C} \sim +55^{\circ}\text{C}$

—

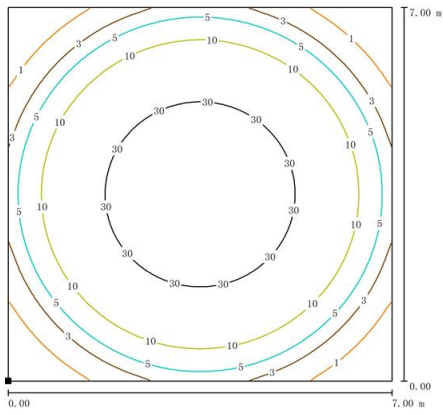
The use temperature range is wider, and it can be used as usual in bad weather.



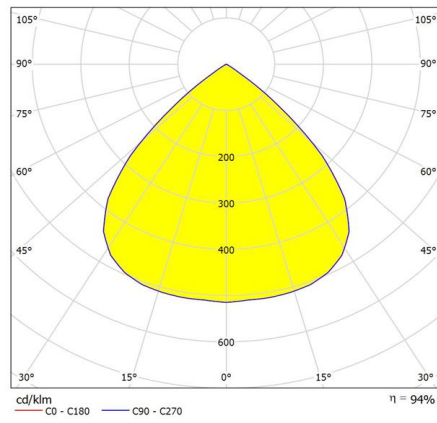
Item: Mars 7	ESL-51	ESL-52
Light Brightness	1000LM	2000LM
Solar panel		
Power	2.2W	4.86V/33w
Li-ion battery		
Capacity	14.8 WH	28.86 WH
Charging/Discharging Temp	0~45°C/-20~60°C	0~45°C/-20~60°C
Charging Time	9H	11.5H
LED (OSRAM)	2835 / 21pcs	2835 / 45pcs
Color Temp	4000K RA80	4000K RA80
Efficiency	190lm/W	190lm/W
UV LED	-	-
Performance		
Lighting Time in Rainyday	>10 days	>10 days
Control Mode	Button Switch, ON/OFF Long Press 1.5s	
Lighting Mode(Remote Control)	M1: 100lm+PIR 60S M2: 0+PIR 60S M3: 300lm Timed 6 hours M4: 1000lm 2Hrs	M1: 200LM + PIR 2000LM 60S M2: 0 + PIR 2000M 60S M3: 600LM6H M4: 2000LM 2Hrs
Mode Indication	-	-
Capacity Indication	-	-
PIR	120°	120°
Core technology	ALS 2.3	ALS 2.3
Solar Panel Autoclean	-	-
IP/IK Class	IP65	IP65
Install Height	-	-
Types of Lighting	120°	120°
Materials	Q235+PC	Q235+PC

ESL-51

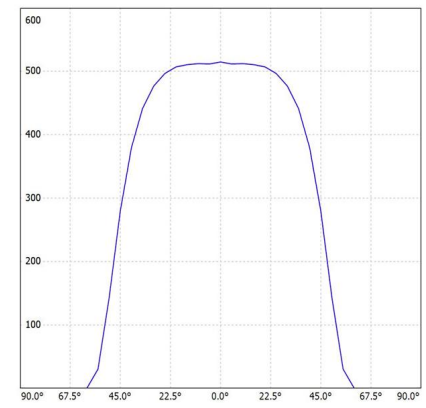
Road Simulated Diagram



Illumination Curve

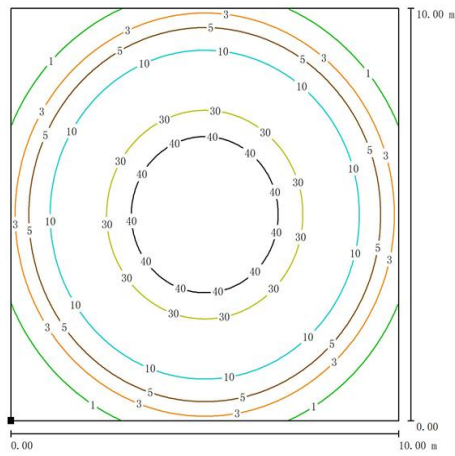


Luminance Distribution

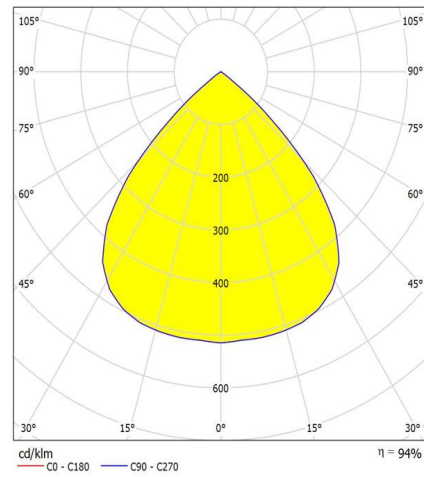


ESL-52

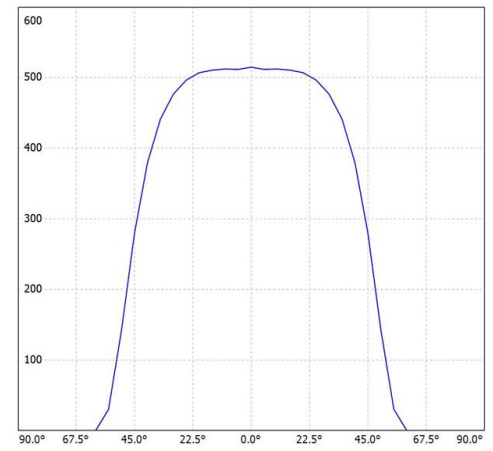
Road Simulated Diagram

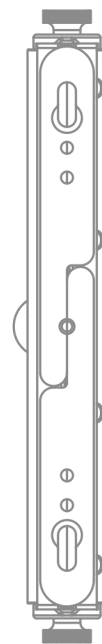
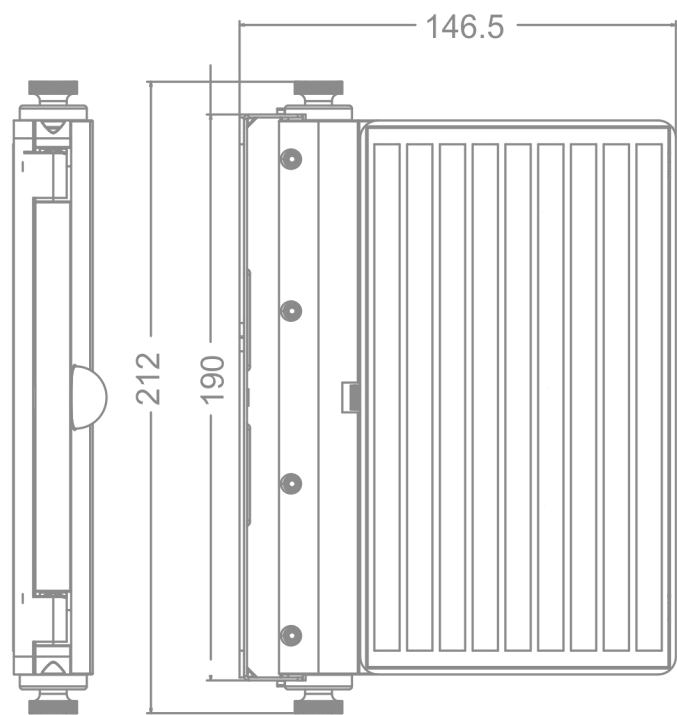
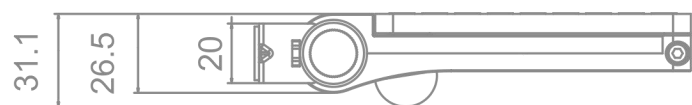


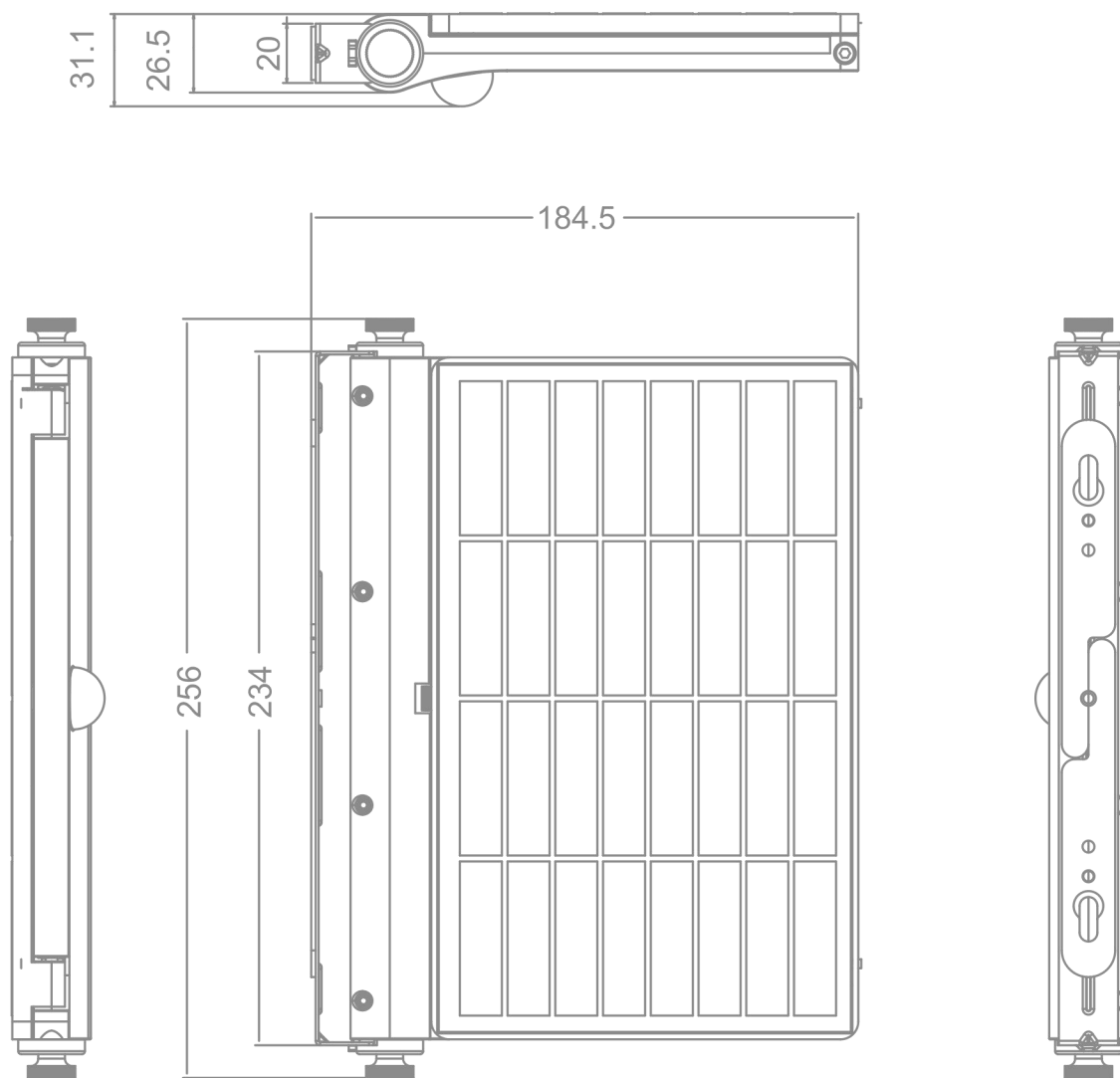
Illumination Curve



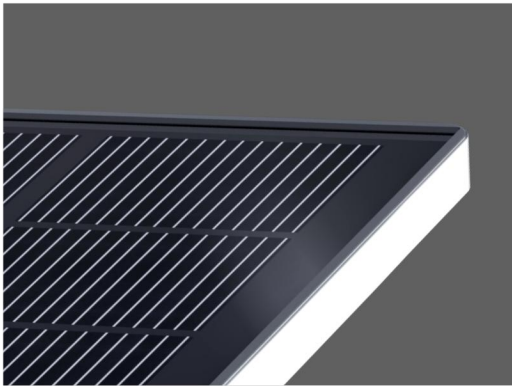
Luminance Distribution







Detail Benefits



Monocrystalline >21%



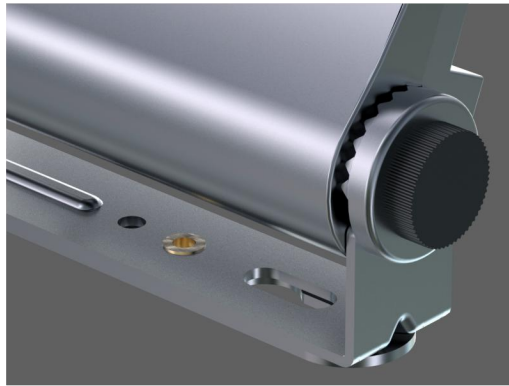
Switch



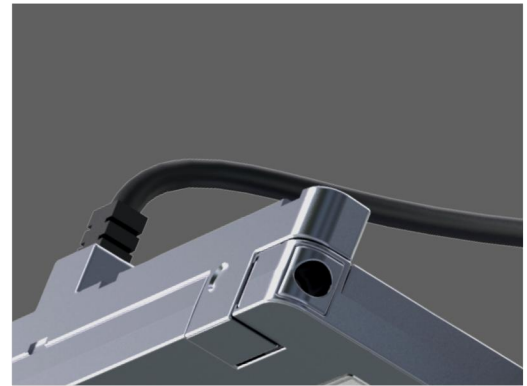
High lumen LEDs 150lm/W



PIR



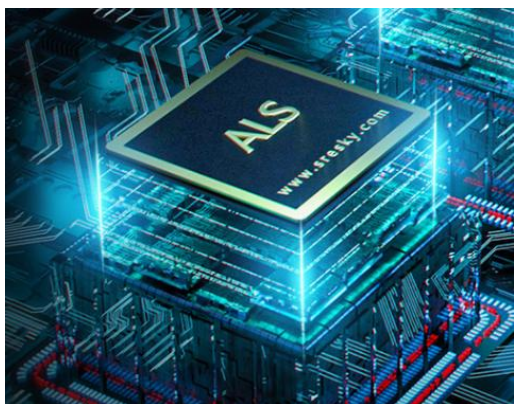
Bracket



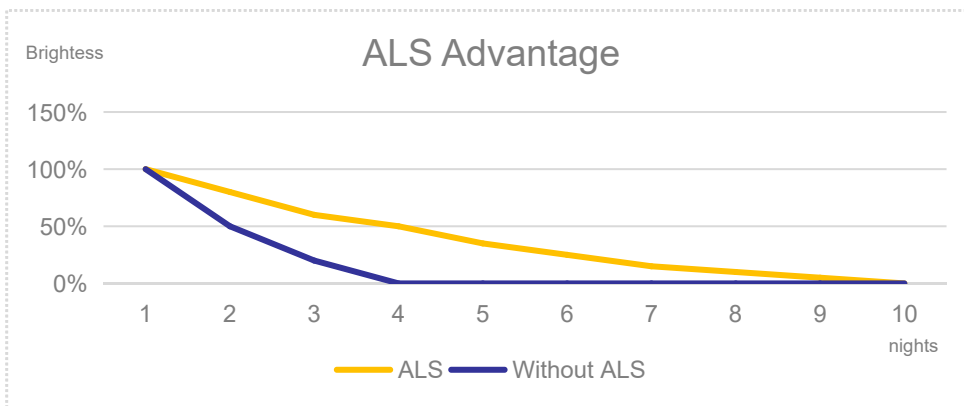
High lumen LEDs 190lm/W



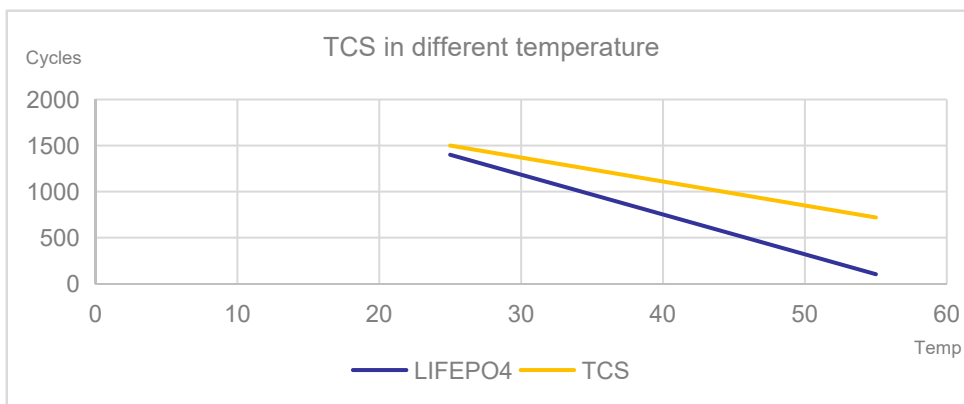
A Great Company should always pay the highest attention to the every detail design , and the craftsmanship spirit should be filled in the whole design process and mass production.



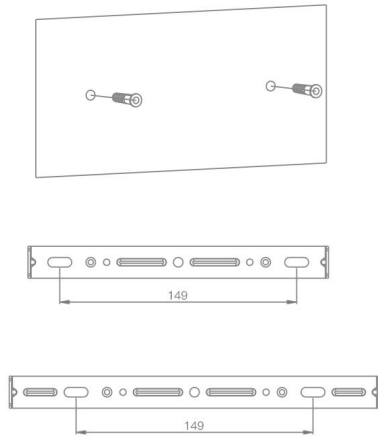
ADVANTAGE OF ALS



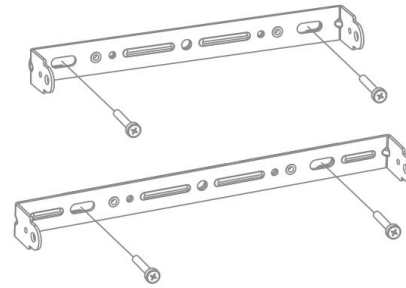
ADVANTAGE OF TCS



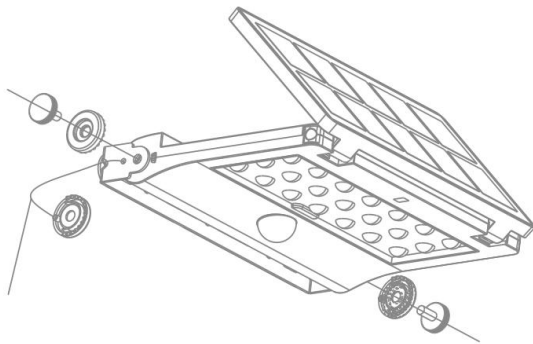
- 1 Fix the expansion column on the wall, spacing as shown



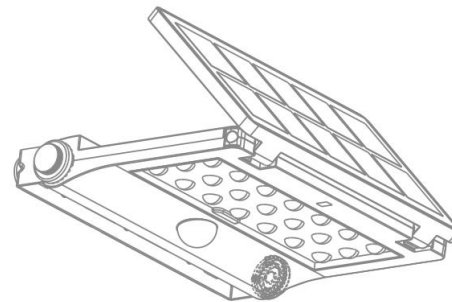
- 2 Mounting brackets

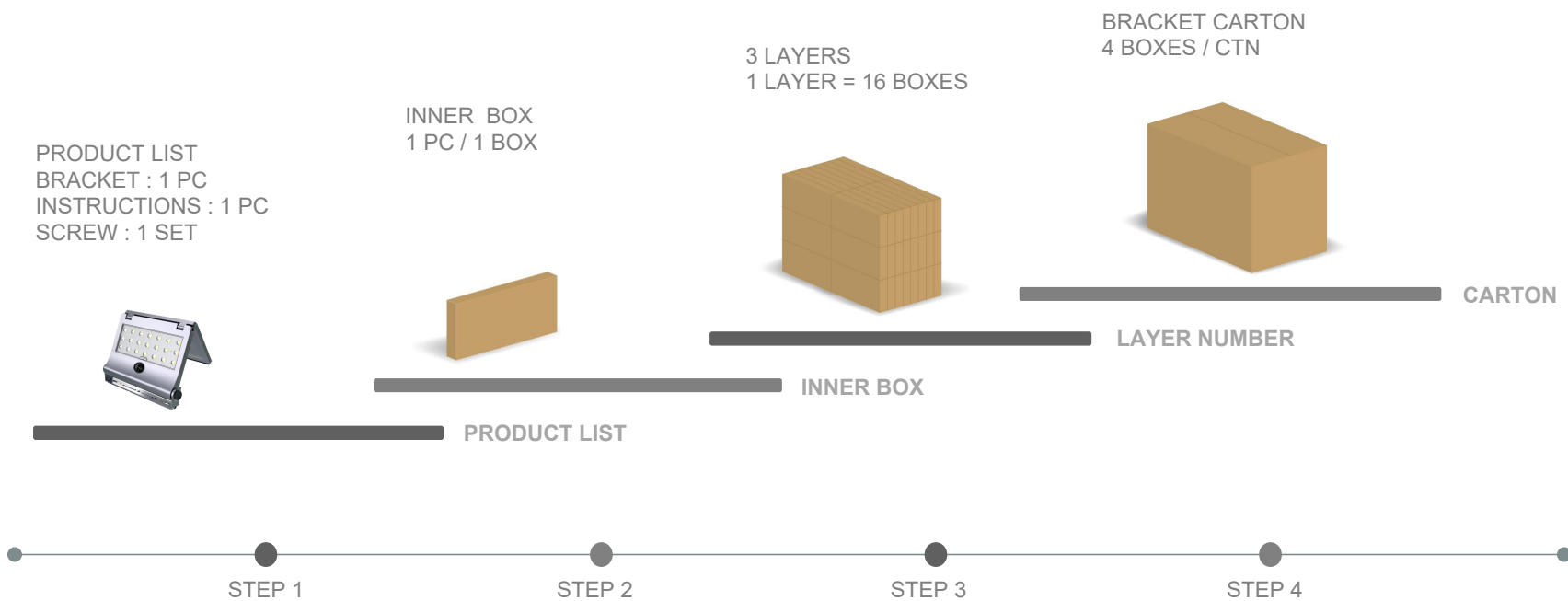


- 3 Insert the lamp into the bracket, tighten the screws



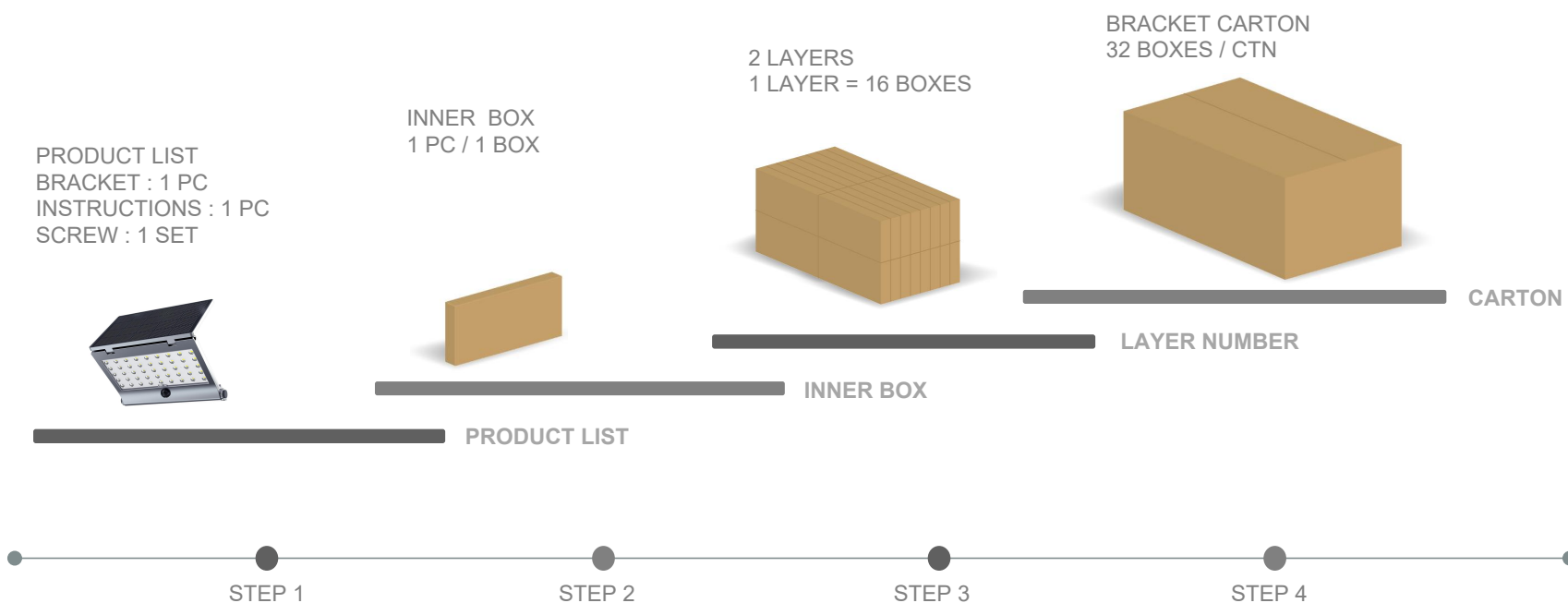
- 4 Finish





MODEL NO.	PACKING METHOD	PCS/ CTN	QTY (PCS)	CTN QTY	CARTON SIZE(MM)	N.W. (KG)	G.W. (KG)	Carton quantities of 20" GP	Carton quantities of 40" HQ
ESL-51	INNER BOX	1	1	1	223*62*158			/	/
	CARTON	20	20	1	466*330*336			9216	18432

Net weight and gross weight are for reference only



MODEL NO.	PACKING METHOD	PCS/ CTN	QTY (PCS)	CTN QTY	CARTON SIZE(MM)	N.W. (KG)	G.W. (KG)	Carton quantites of 20" GP	Carton quantities of 40" HQ
ESL-52	INNER BOX	1	1	1	267*62*197			/	/
	CARTON	16	16	1	521*287*414			10560	16896

Net weight and gross weight are for reference only

S / O / L / A / R / L / I / G / H / T

THANKS
VERY
MUCH

