



Mars 5 Pro

Solar Decoration wall light



ESL-53-V1.0

INTRODUCTION

Product specifications

01 FRONT COVER

02 CATALOG

03
~
05 MAIN
ADVANTAGES

08 SPECIFICATIONS

07 OPTICAL FIGURE

08 DIMENTION
FIGURE

09 MORE DETAILS

10 CORE
TECHNOLOGY

11 INSTALLATION
INSTRUCTIONS

12 PACKAGE DETAIL

13 APPLICATION

Frosted lampshade anti-glare

—

The anti-glare light emitting method that complies with EU regulations.





New technology enhances user experience

ALS technology to prolong the lighting time >7 rainy days
TCS technology to protect the lights can work normally and safety in very hot and cold temperature



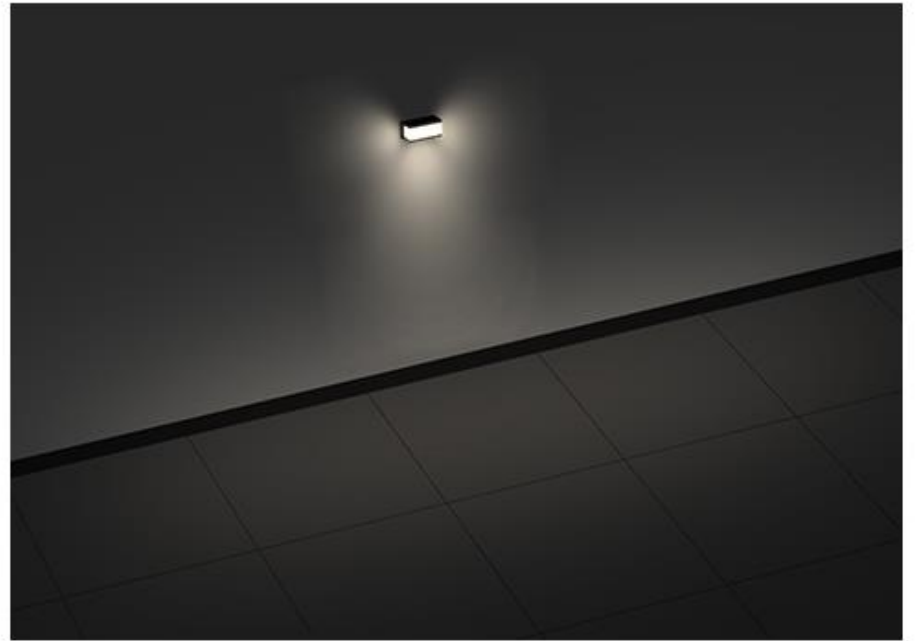
Light from all sides wide lighting range

Large luminous body, better decoration effect



PIR motion sensor max to 5M with 120°angle

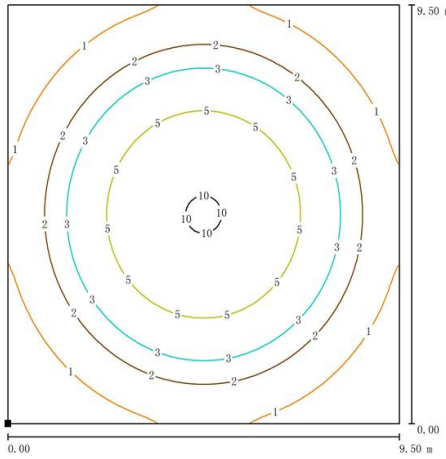
—



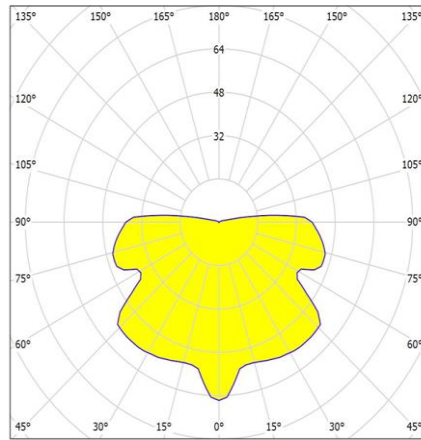
Item: Mars 5 Pro	ESL-53
Light Brightness	2000LM
Solar panel	
Power	4.86V/2.2W
Li-ion battery	
Capacity	14.8 WH
Charging Temp	0~45°C /-20~+60°C
Charging Time	8.9H
LED	2835 / 38pcs
Color Temp	4000K RA70+
Efficiency	150lm/W
UV LED	-
Performance	
Lighting Time in Rainyday	> 10 days
Control Mode	Button Switch, ON/OFF Long Press 1.5s
Lighting Mode	M1: 200lm+PIR (one minute) M2: 0+PIR (one minute) M3: 600lm Timed 6 hours M4: 2000lm 2Hrs
Mode Indication	-
Capacity Indication	-
PIR	120°/5m
Core technology	ALS 2.3
Solar Panel Autoclean	-
IP/IK Class	IP65
Install Height	-
Types of Lighting	120°
Materials	ABS+PS

ESL-53

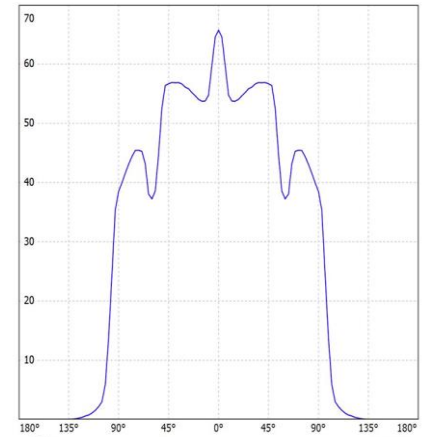
Road Simulated Diagram



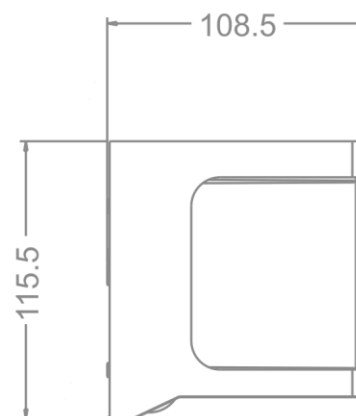
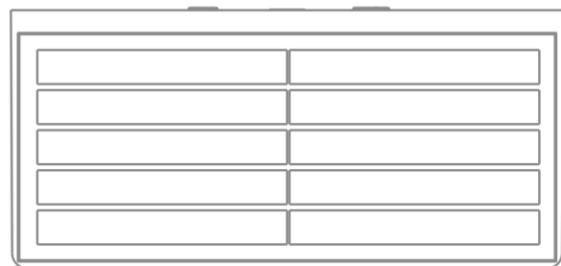
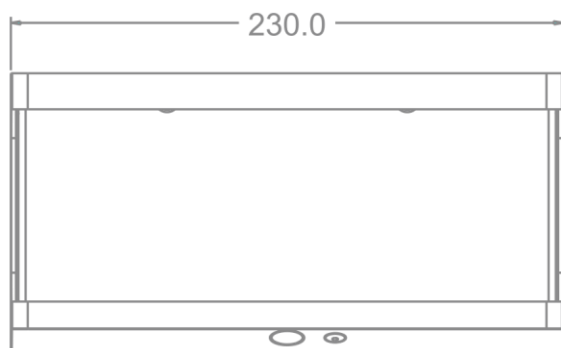
Illumination Curve



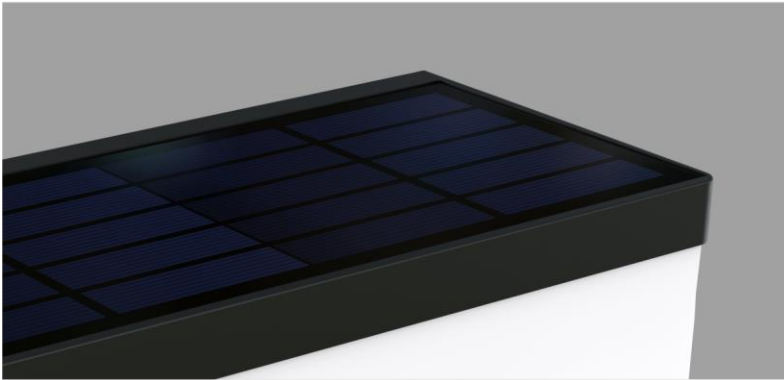
Luminance Distribution



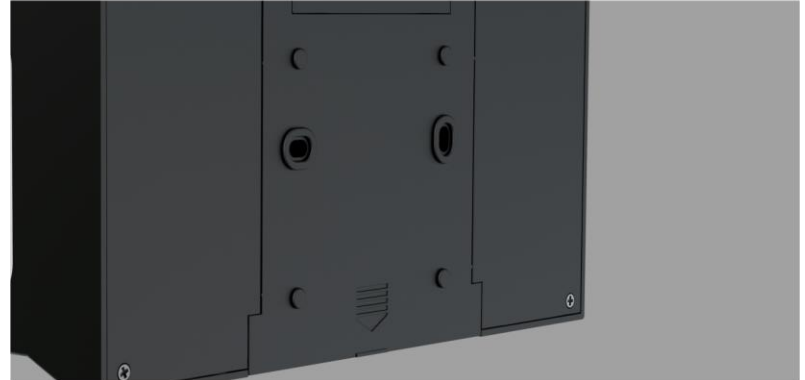
SOLAR LIGHT I DIMENTION FIGURE



Detail Benefits



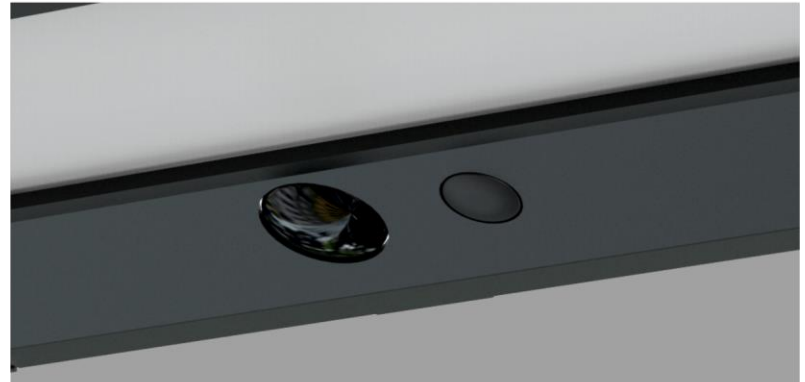
Monocrystalline >21%



Bracket



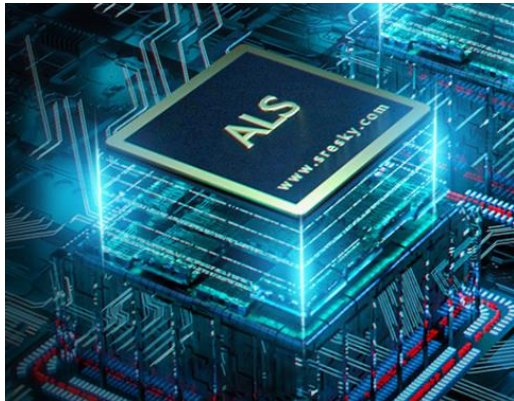
High lumen LEDs 150lm/W



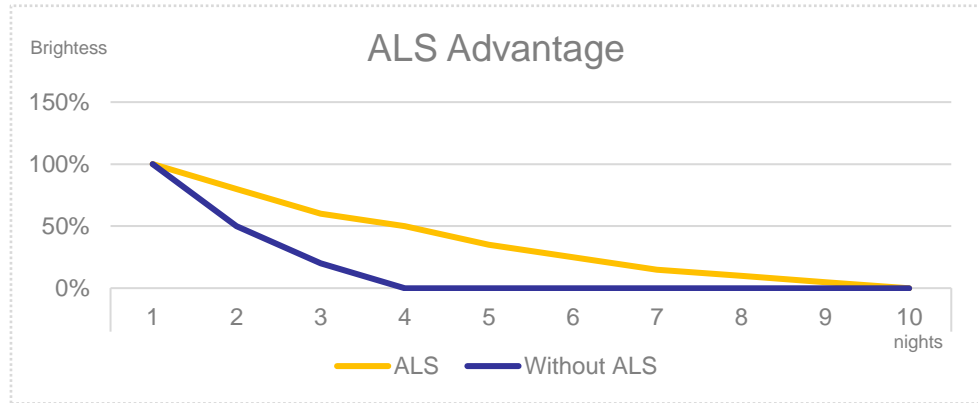
PIR /
Switch



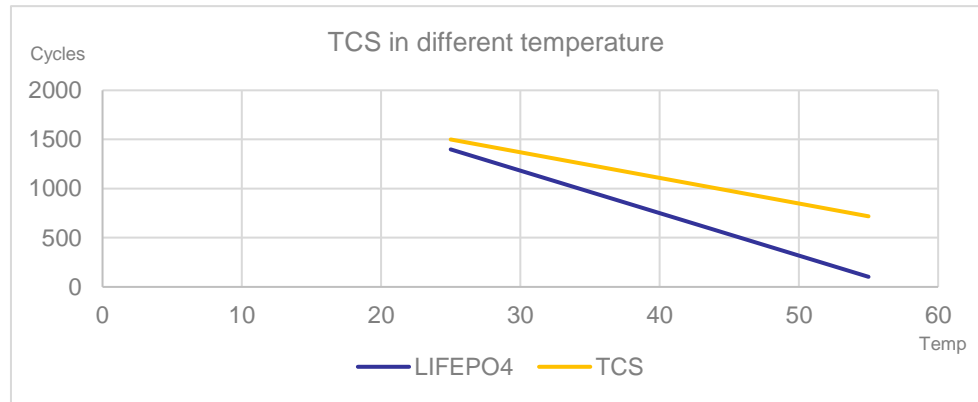
A Great Company should always pay the highest attention to the every detail design , and the craftsmanship spirit should be filled in the whole design process and mass production.



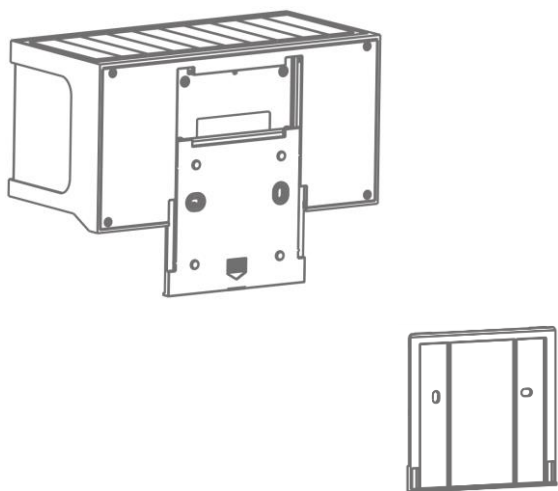
ADVANTAGE OF ALS



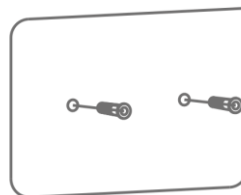
ADVANTAGE OF TCS



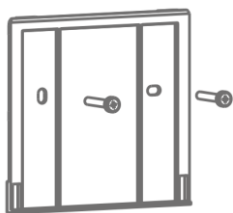
- 1 Remove the wall bracket and position the bracket hole



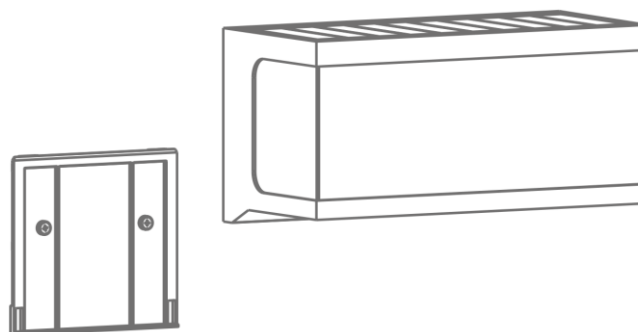
- 2 Install plastic expansion column

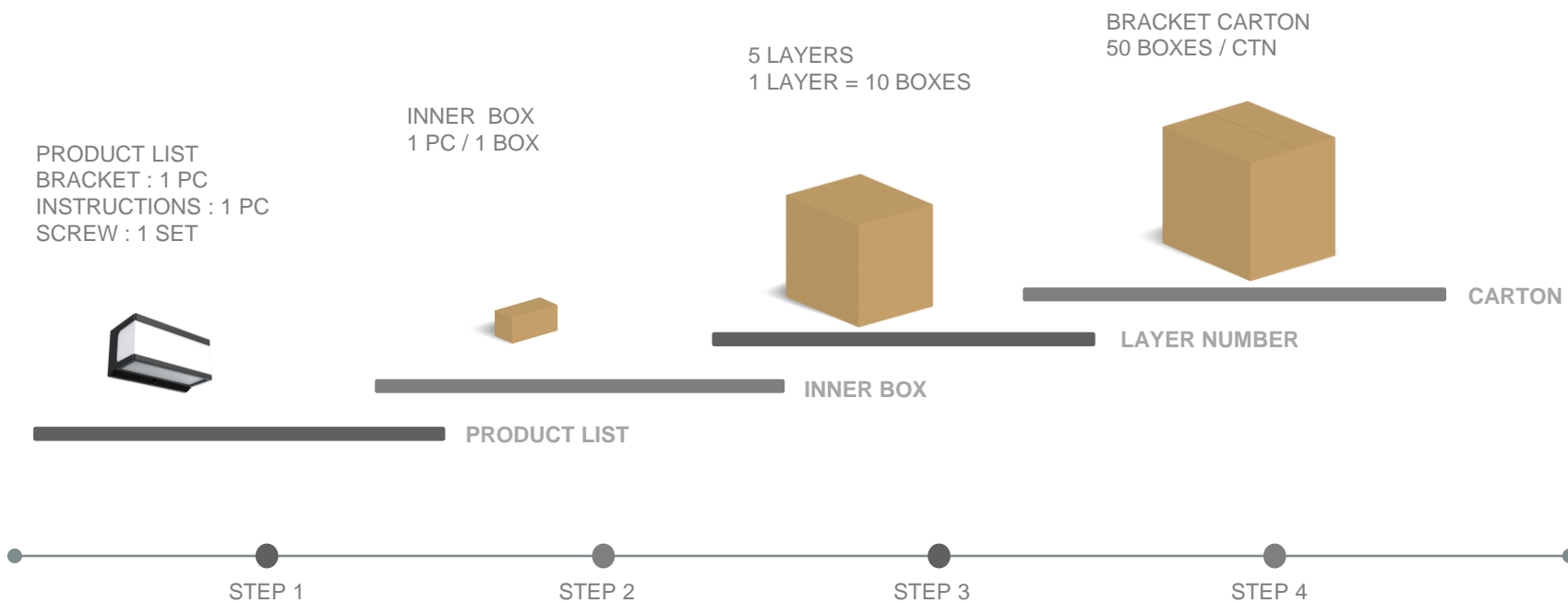


- 3 Fixed bracket



- 4 Install lamps





MODEL NO.	PACKING METHOD	PCS/ CTN	QTY(PCS)	CTN QTY	CARTON SIZE(MM)	N.W. (KG)	G.W (.KG)	Carton quantites of 20" GP	Carton quantities of 40" HQ
ESL-53	INNER BOX	1	1	1	237x122x115			/	/
	CARTON	50	50	1	630x494x595			7200	15200

Net weight and gross weight are for reference only

S / O / L / A / R / L / I / G / H / T

THANKS
VERY
MUCH

