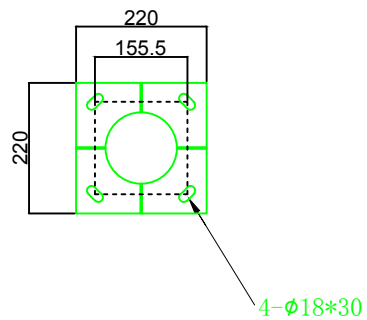


4m HDG Q235 conical pole,  
upper size  $\text{Ø}60\text{mm}$ ,  
bottom size  $\text{Ø}120\text{mm}$ ,  
thickness 2.5mm



Flange plate T=12