






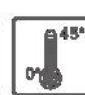



SPECIFICATION Of 3000 Lumens

All In One Solar Street Light

1. 2 lighting modes with remote control
 2. ALS2.0 + VFT + TCS Technology for All Night Lighting even in Cloudy or Rainy Day.
- Application : Street /Roadway /pathway /Parking Lot /Private road /Sidewalk /Public square



SPECIFICATIONS

| | |
|--|--|
| Model No. | SSL-06N |
| Lumens | 3000lm |
| LED quantity | 40pcs |
| Power of solar panel | 15W |
| Battery Spec | 111WH |
| IP | 65 |
| IK | 10 |
| Charging time | 9 hours |
| Lighting time | 7-10 days |
| Discharging temperature | -20°C~60°C |
| Charging temperature | 0°C~55°C |
| Switch light sensor | ≥50 Lux,off ≤10 Lux,on |
| Light modes | 2 lighting modes+Remote Controller+ODM |
| Beam angle | 135°*75° |
| Material | Aluminium alloy + Tempered Glass |
| Warranty | 3 years |
|          | |

WORKING PROCESS INSTRUCTIONS

1. Power Li-ion battery, support 1500 cycles
2. Remote Controller for setting time and brightness
3. 2 color indicator for 2 lighting modes

Red: dim 10% brightness+PIR 100% brightness till dawn

Green : dim 30% brightness+PIR 100% brightness till dawn

PRODUCT DETAILS



LED chip

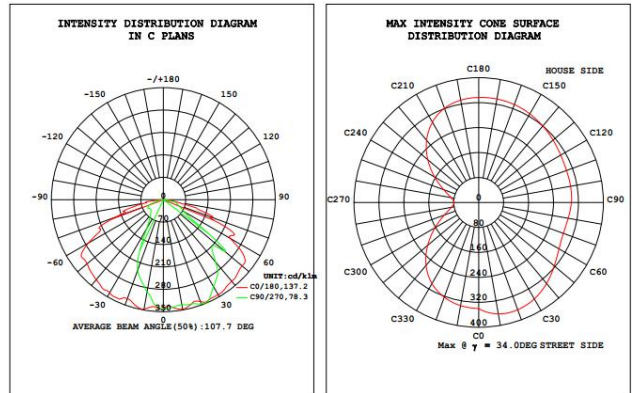


Switch



Solar panel

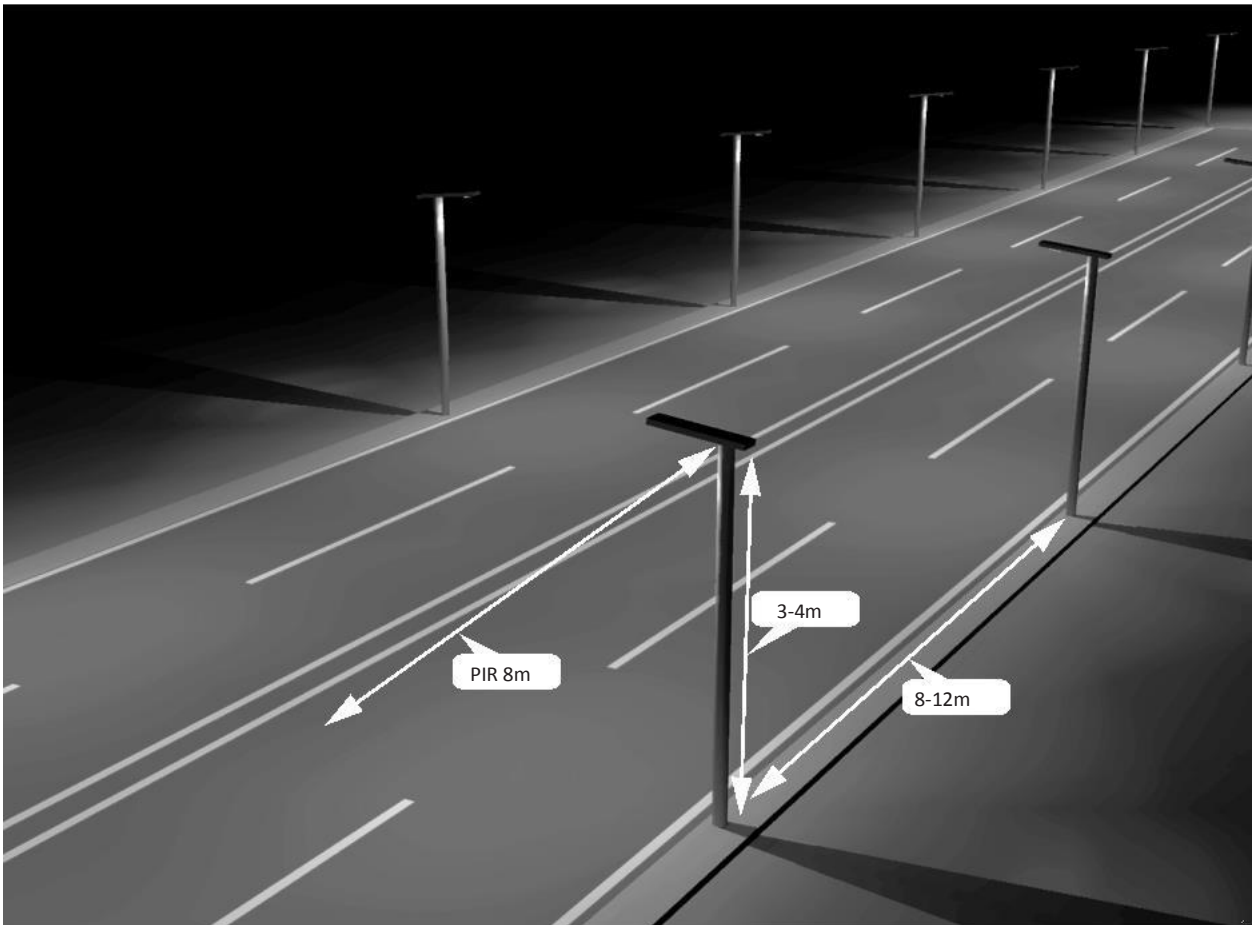
RECOMMEND DATA



New technology:

ALS (adaptive lighting system): When meet bad weather lack of enough sun charge, the system will do smart timely calculation for the remaining battery capacity and give max output efficiency use for long lighting time.

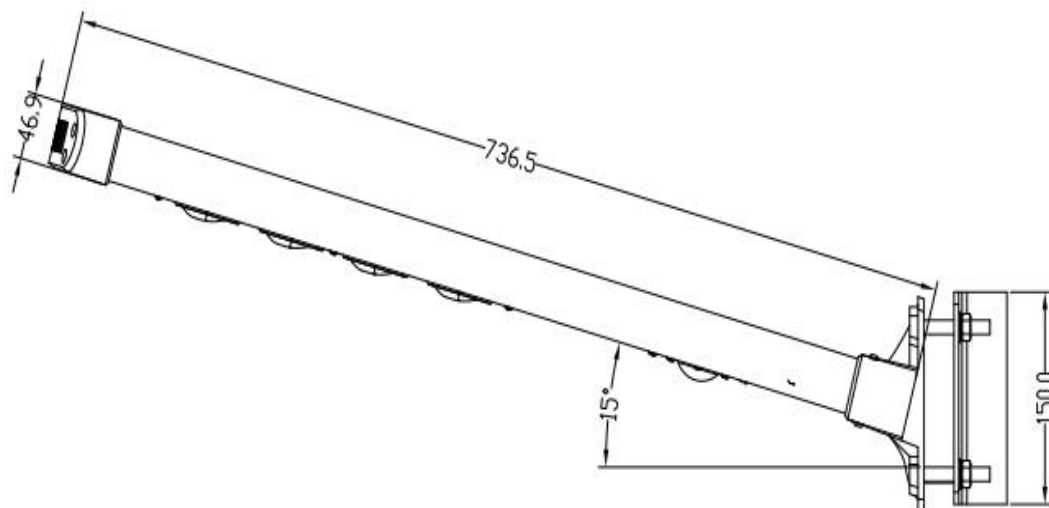
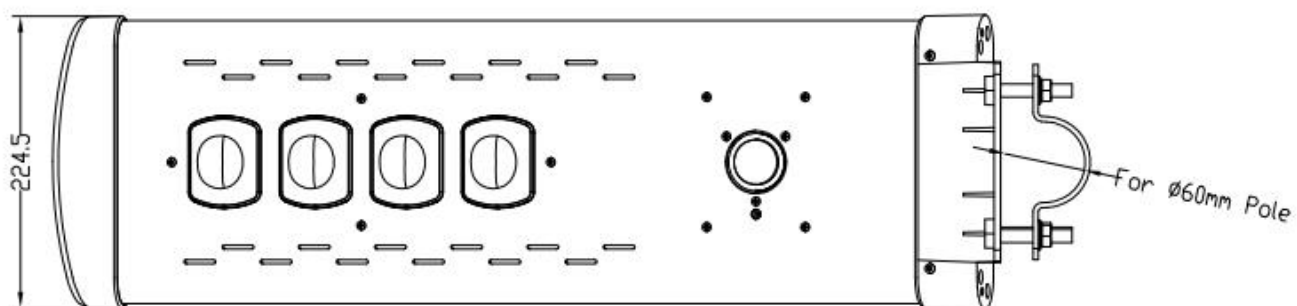
TCS (Temperature control system) when temperature over 65°C, TCS will cut off charging system to protect battery, when below 65°C, charging system will continue to work automatically



DIALUX road simulation map

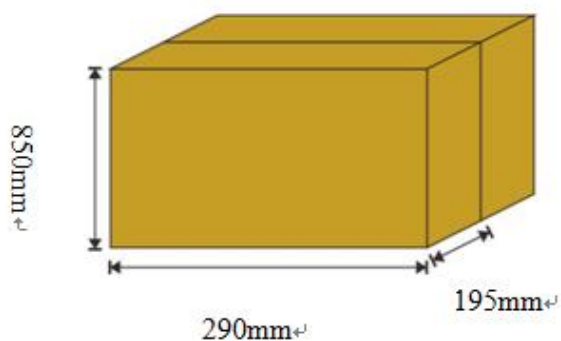
Pole diameter: 60mm

PRODUCT SIZE



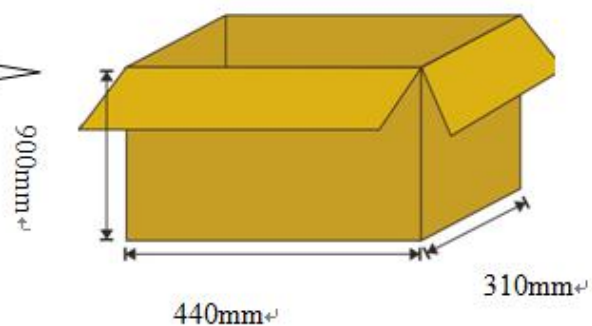
PRODUCT PACKAGING

BOX



CARTON

2pcs →



Lamp Net Weight
7.5 KG

Gross Weight
13.7 KG