

Performance

- Robust Structure;
- Highly specialized drive and hydraulic system ensure excellent driving performance and high reliability.
- Low-noise and durable hydraulic unit, high quality cylinder as well as hose ensure high reliability of hydraulic system.
- AMP connector and durable electric wires greatly reduce malfunctions of components.
- Straddle Chassis option offers stability of high stack operation.



Safety

- Safety hydraulic design prevents mast from falling down abruptly when oil pipes cut off.
- Belly button prevents truck from hitting operator.
- By simply pressing emergency disconnect, power supply will be immediately interrupted.
- Multi lifting limited switch ensures travel safety.
- Truck automatically switches to low speed mode, when lifting height is higher than setting height.
- Anti-rolling back braking device ensures trucks don't roll back on ramps.

Operation

- Ergonomic tiller head for effortless and comfortable operations.
- Tiller with long arm for smooth steering.
- Compact chassis design offers smallest turning radius needed.
- Side operating ensures excellent visibility.
- On-board Charger.

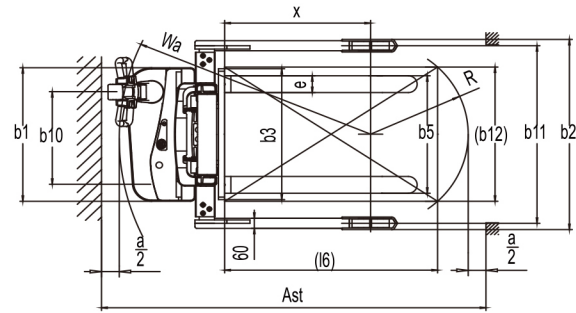
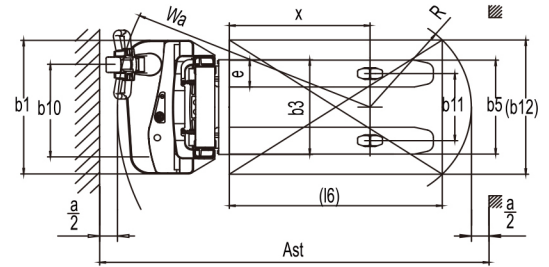
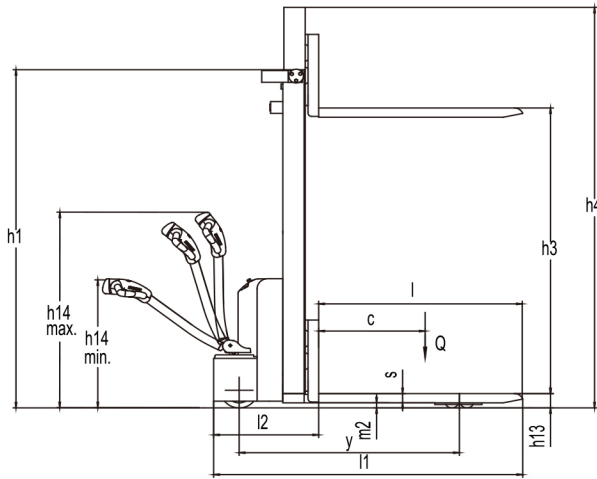
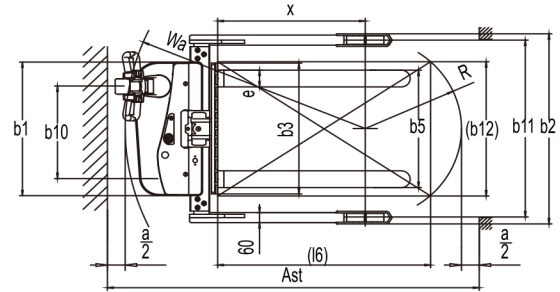
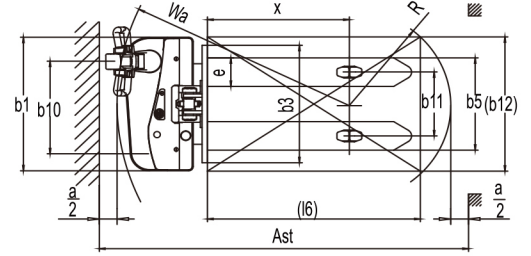
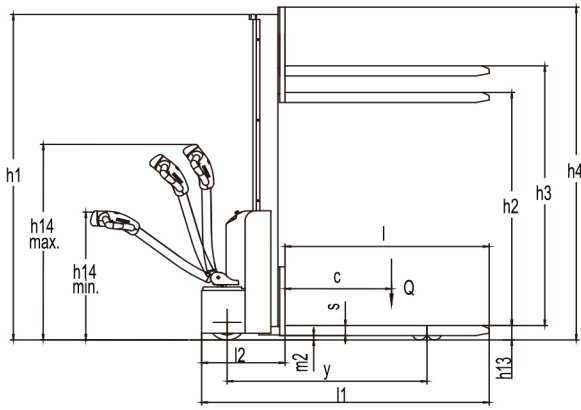
Maintenance

- Maintenance-free Battery.
- Battery display indicator with hour meter, reminds operator of charging on time (optional).
- Easy Maintenance — detachable rear panel.
- Self-Diagnostics signal on the digital display allows easy trouble-shooting.
- Easy Access of Hand Set.
- Low-voltage Cut-off Protection.

Electric Stacker

Distinguishing mark						
1.1	Manufacturer			VIFT	VIFT	VIFT
1.2	Model designation			TB110	TB112	TB115
1.3	Drive unit			Electric	Electric	Electric
1.4	Type of operation			pedestrian	pedestrian	pedestrian
1.5	Rated capacity	Q	kg	1000	1200	1500
1.6	Load center distance	c	mm	600	600	600
1.8	Load distance, centre of drive axle to fork	x	mm	805	850	795
1.9	Wheelbase	y	mm	1126	1210	1240
Weight						
2.1	Service weight (include battery)		kg	462	543	540
2.2	Axle loading, laden driving side/loading side		kg	641/821	683/860	640/852
2.3	Axle loading, unladen driving side/loading side		kg	343/119	420/123	419/121
Types,Chassis						
3.1	Tyre type Driving wheels/Loading wheels			PU/ PU	PU/ PU	PU/PU
3.2	Tyre size, driving wheels (diameter*width)		mm	Φ210x70	Φ210x70	Ø210×70
3.3	Tyre size, loading wheels (diameter*width)		mm	Φ80x60	Φ100x50	Ø80×60
3.4	Tyre size, caster wheels (diameter*width)		mm	Φ130x55	Φ100x50	Ø130×55
3.5	Wheels, number driving, caster/loading (x=drive wheels)		mm	1x+ 1/ 4	1x+ 1/ 4	1x +1/4
3.6	Track width, front,driving side	b ₁₀	mm	533	533	533
3.7	Track width,rear,loading side	b ₁₁	mm	380	1060/1160/ 1260 /1360	400
Dimensions						
4.1	Tilt of mast/fork carriage forward/backward	α/ β	°	/	/	/
4.2	Height, mast lowered	h ₁	mm	1940	1940	2022
4.3	Free lift	h ₂	mm	1505	1407	/
4.4	Lift height	h ₃	mm	1520	1520	2930
4.5	Height, mast extended	h ₄	mm	1955	2053	3487
4.6	Initial lift	h ₅	mm	/	/	/
4.9	Height drawbar in driving position min./max.	h ₁₄	mm	860/ 1200	860/ 1200	860/ 1200
4.10	Height of wheel arms	h ₈	mm	/	100	/
4.15	Lowered height	h ₁₃	mm	88	60	88
4.19	Overall length	l ₁	mm	1615	1570	1740
4.20	Length to face of forks	l ₂	mm	465	500	590
4.21	Overall width	b ₁	mm	800	1135/1235/ 1335 /1435	800
4.22	Fork dimensions	s/ e/ l	mm	60/ 170/ 1150	35/ 100/ 1070	55/160/1150
4.24	Fork carriage width	b ₃	mm	680	780	600
4.25	Distance between fork-arms	b ₅	mm	550	200~765	560
4.26	Distance between wheel arms	b ₄	mm	/	100	/
4.31	Ground clearance, laden, below mast	m ₁	mm	/	/	/
4.32	Ground clearance, center of wheelbase	m ₂	mm	30	40	30
4.34.1	Aisle width for pallets 1000 × 1200 crossways	Ast	mm	2137	2175	2225
4.34.2	Aisle width for pallets 800 × 1200 lengthways	Ast	mm	2062	2100	2150
4.35	Turning radius	Wa	mm	1295	1329	1408
Performance data						
5.1	Travel speed, laden/ unladen		km/ h	3.5/4	3.5/4	3.5/4
5.2	Lifting speed, laden/ unladen		m/ s	0.12/ 0.22	0.12/ 0.22	0.12/0.22
5.3	Lowering speed, laden/ unladen		m/ s	0.12/ 0.11	0.12/ 0.11	0.12/0.11
5.8	Max. gradeability, laden/unladen		%	3/ 10	3/ 10	3/10
5.10	Service brake type			Electromagnetic	Electromagnetic	Electromagnetic
Electric-engine						
6.1	Drive motor rating S2 60 min		kW	0.65	0.65	0.65
6.2	Lift motor rating at S3 15%		kW	2.2	2.2	2.2
6.3	The maximum allowed size battery		mm	270x180x230	270x180x230	325x180x230
6.4	Battery voltage/nominal capacity K20		V/ Ah	2x12/85	2x12/85	2x12/105
6.5	Battery weight		kg	2x25	2x25	2x30
Addition data						
8.1	Type of drive unit			DC	DC	DC
10.5	Steering type			Mechanical	Mechanical	Mechanical
10.7	Sound pressure level at the driver's ear			74	74	74

- 1.The parameters in the table are of the standard model. For more information, please contact us.
- 2.The parameters are subject to change without notice.



RATED CAPACITIES GRAPH

