

ASSEMBLY INSTRUCTION

Important

please inspect all items carefully before assembling.

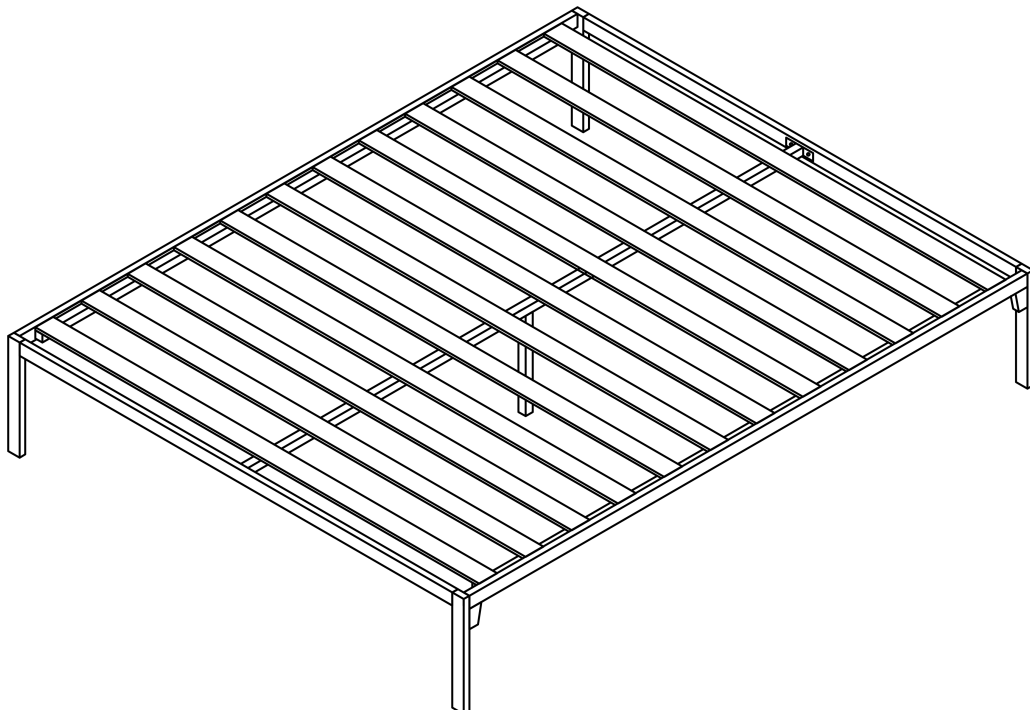
If for any reason you need to return this item, you must return it in its original packaging.

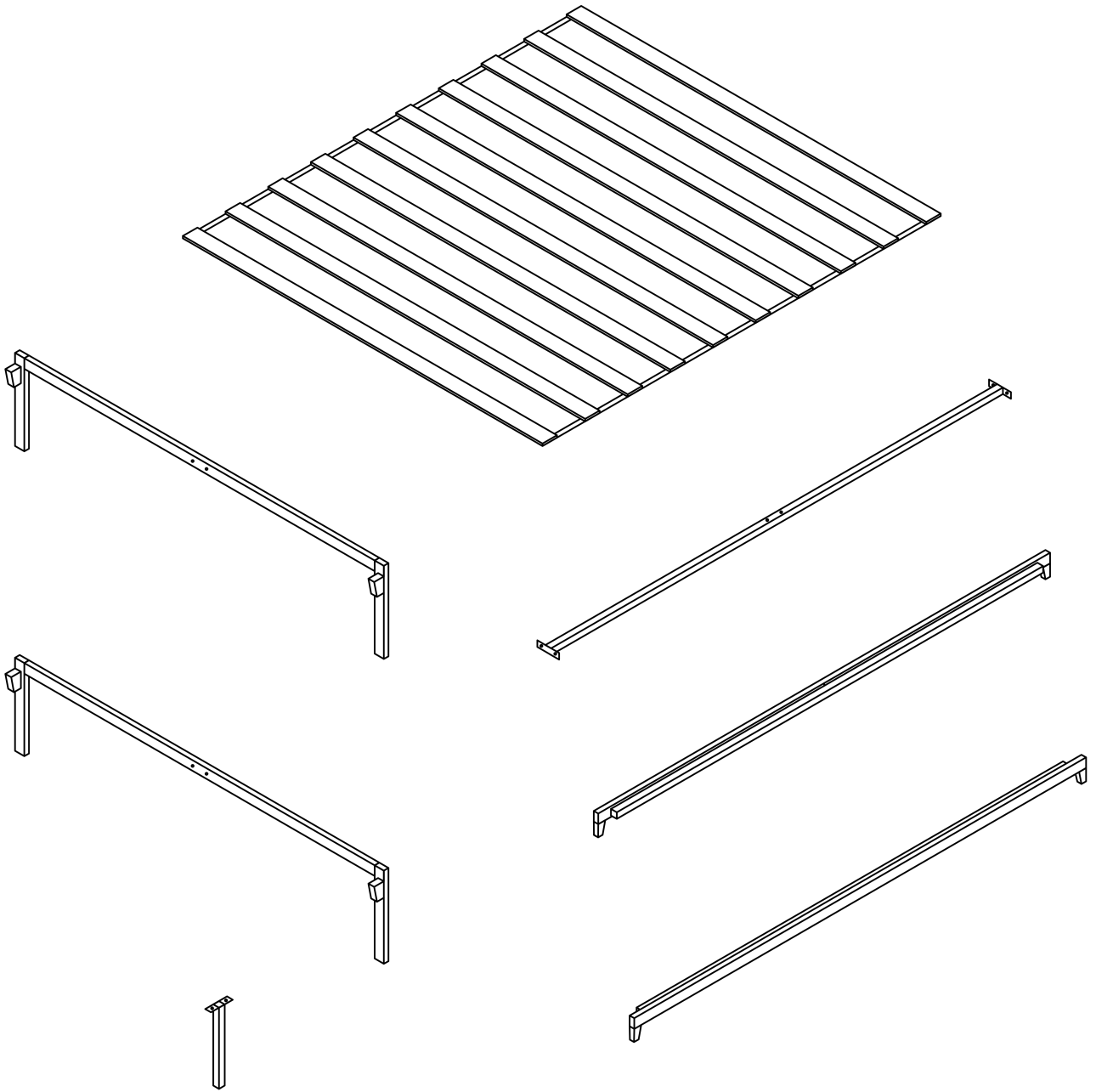
Assembled items cannot be returned.

IMPORTANT NOTE: * PLACE ALL PARTS ON A CLEAN AND SMOOTH SURFACE SUCH AS A RUG OR CARPET TO AVOID THE PARTS FROM BEING SCRATCHED.

* BEFORE YOU BEGIN, KINDLY FOLLOW THE ASSEMBLY INSTRUCTIONS STEP BY STEP.

* DO NOT TIGHTEN ALL SCREWS UNTIL THE BED IS FULLY SET-UP.





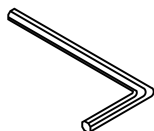
A/M6 X 16 4PCS



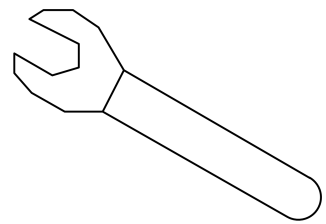
C/M6 X 16 2PCS



B/M6 X 40 2PCS



1PCS



1PCS

