






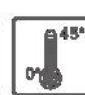



SPECIFICATION Of 2000 Lumens

All In One Solar Street Light

1. 2 lighting modes with PIR motion sensor
 2. ALS2.0 + VFT + TCS Technology for All Night Lighting even in Cloudy or Rainy Day.
- Application : Street /Roadway /pathway /Parking Lot /Private road /Sidewalk /Public square



SPECIFICATIONS

Model No.	SSL-02N
Lumens	2000lm
LED quantity	48pcs
Power of solar panel	15W
Battery Spec	111 WH
IP	65
IK	10
Charging time	9 hours
Lighting time	7-10 days
Discharging temperature	-20°C~60°C
Charging temperature	0°C~55°C
Switch light sensor	≥50 Lux,off ≤10 Lux,on
Light modes	2 lighting modes + ODM
Beam angle	105° × 105°
Material	Aluminum alloy
Warranty	3 years
        	

WORKING PROCESS INSTRUCTIONS

1. Power Li-ion battery, support 1500 cycles
2. Battery pack inside the lamp, Die-casting design for housing.
3. 2 color indicator for 2 lighting modes

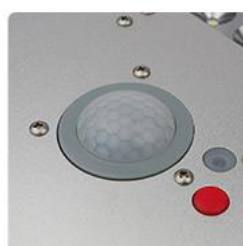
Red: 10% brightness + PIR100% brightness

Green: 30% brightness + PIR100% brightness

UP TO 10 RAINY OR CLOUDY DAYS.
NEVER STOP LIGHTING WITH NEW HI-TECHNOLOGY-ALS2.0



LED chip



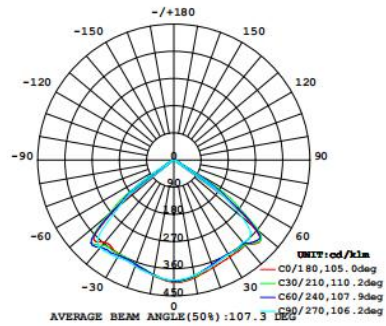
Switch



Solar panel

RECOMMEND DATA

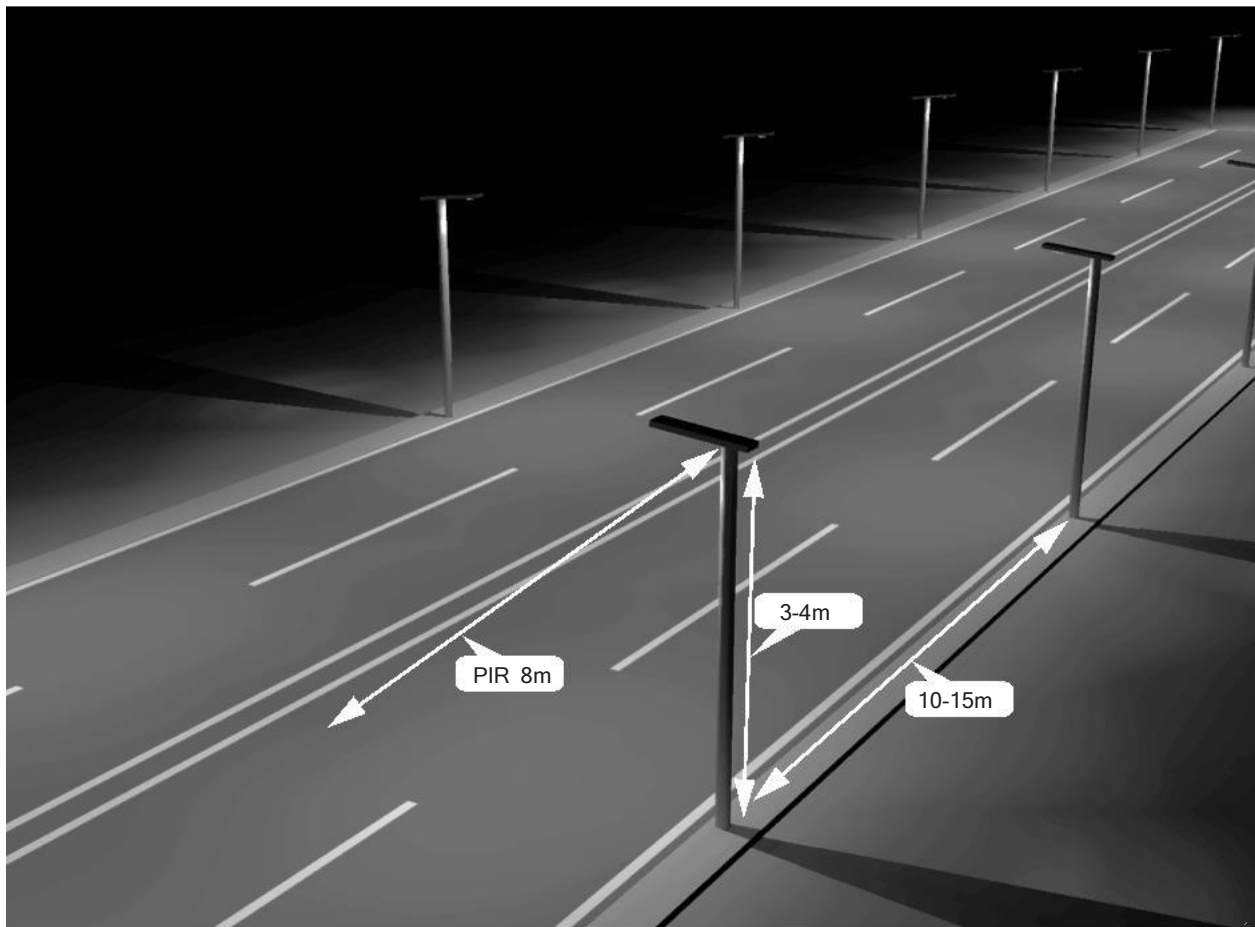
LUMINOUS INTENSITY DISTRIBUTION DIAGRAM



New technology:

ALS (adaptive lighting system): When meet bad weather lack of enough sun charge, the system will do smart timely calculation for the remaining battery capacity and give max output efficiency use for long lighting time.

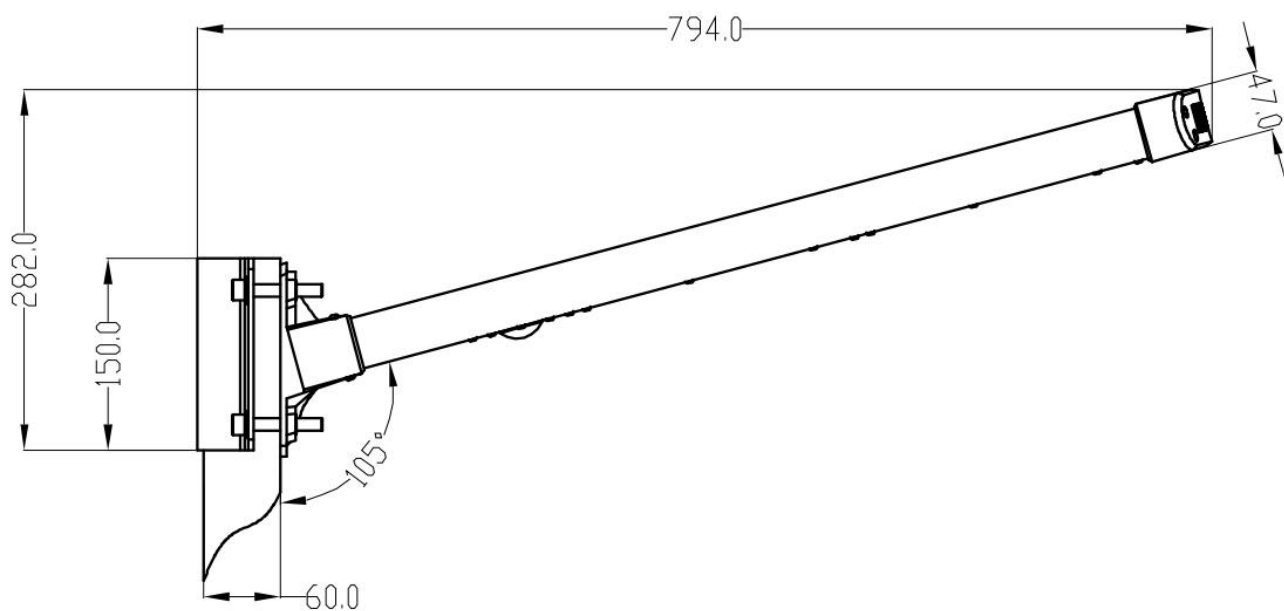
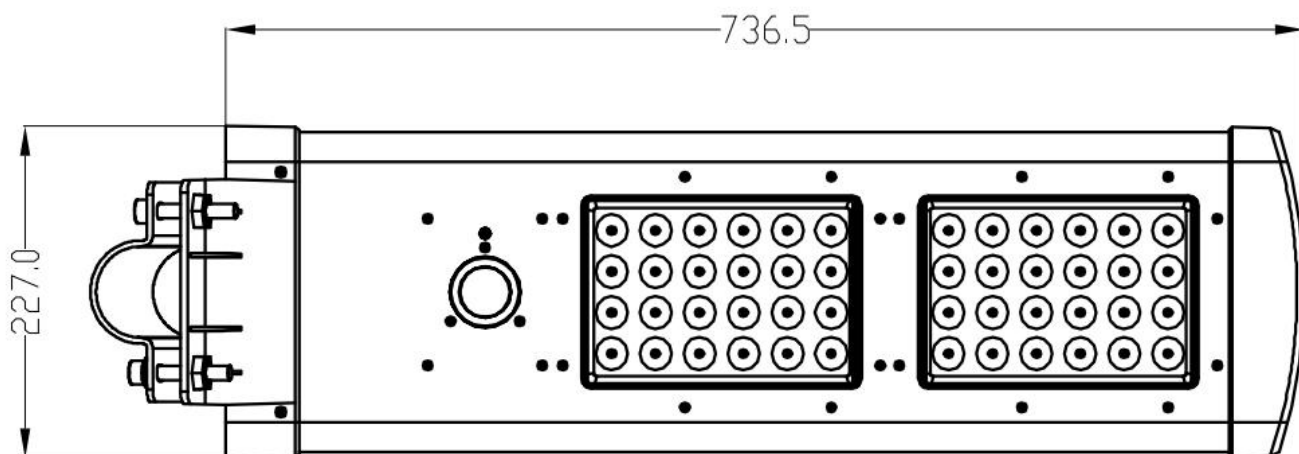
TCS (Temperature control system) when temperature over 65°C, TCS will cut off charging system to protect battery, when below 65°C, charging system will continue to work automatically



DIALUX road simulation map

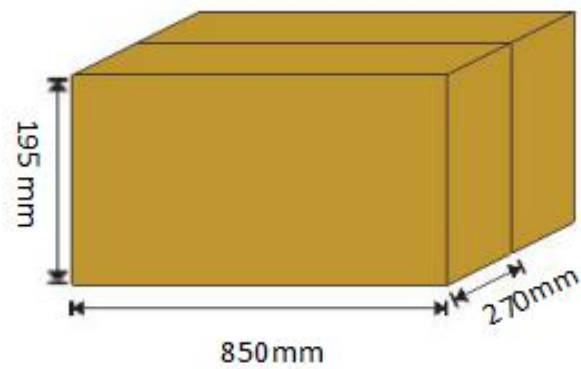
Pole diameter: 60mm

PRODUCT SIZE (MM)

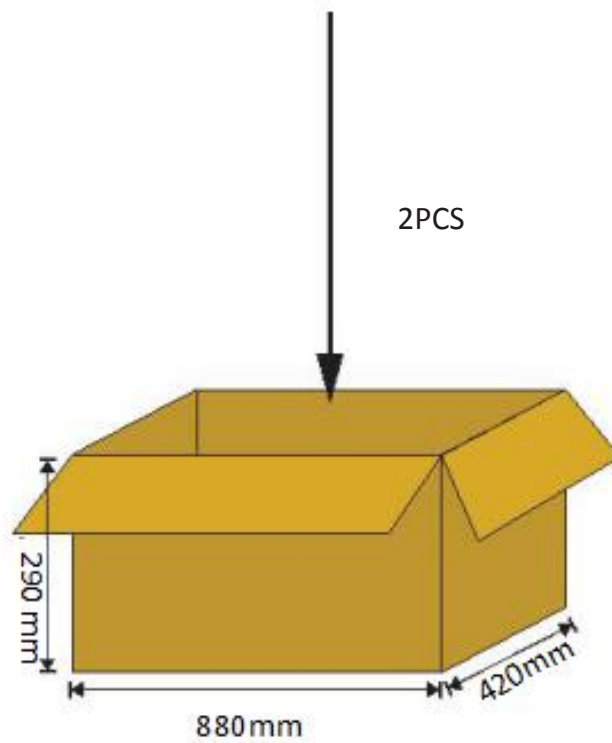


PRODUCT PACKAGING

INNER BOX



CARTON



Lamp Net Weight

15.2 KG