



MARS 3

SOLAR WALL LIGHT



INTRODUCTION

Product specifications

01 FRONT COVER

02 CATALOG

03
~
05 MAIN
ADVANTAGES

06 SPECIFICATIONS

07 OPTICAL FIGURE

08 DIMENTION
FIGURE

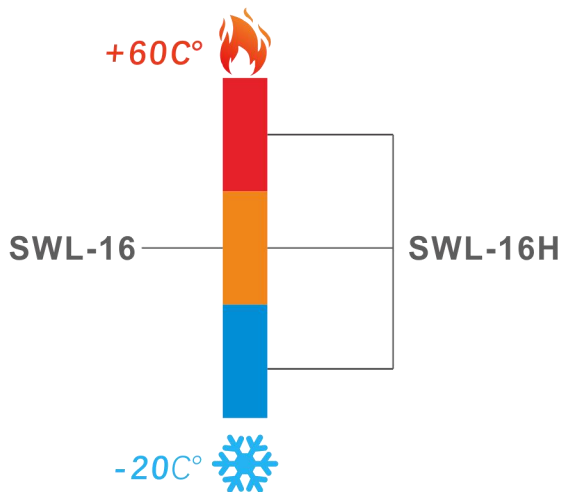
09 MORE DETAILS

10 CORE
TECHNOLOGY

11 INSTALLATION
INSTRUCTIONS

12 PACKAGE DETAIL

13 APPLICATION



Available in Both High and Low Latitude

SWL-16: Working Well in 0°C ~ +45°C
 SWL-16H: Battery Protection for Light Working Well in -20°C ~ +60°C



No screws on surfaces

Product Advantage

ALS Technology Guarantees 10 Continuous Working Nights
TCS Technology Ensures Longer Battery Lifespan

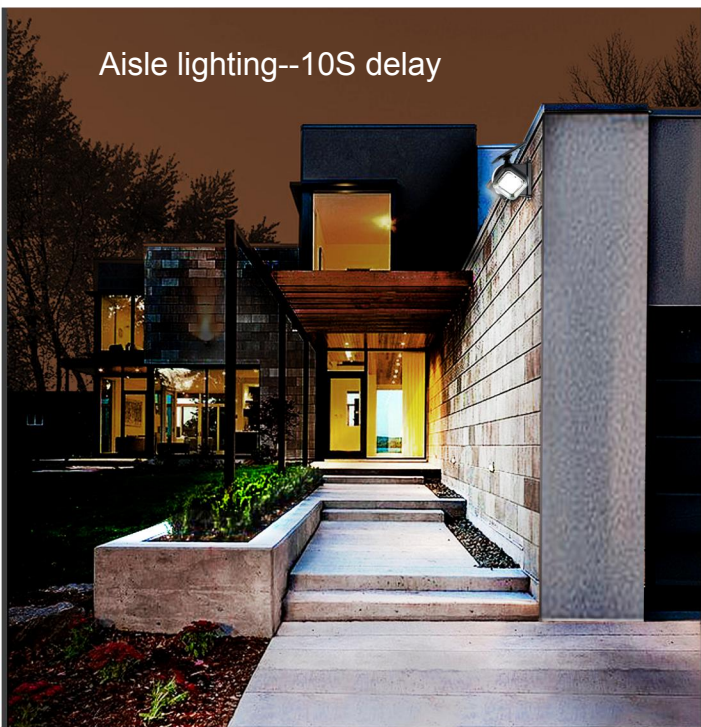
Rotatable Solar Panel and Lamps Beam Angle Over 180°



Rotatable solar panel and lamps



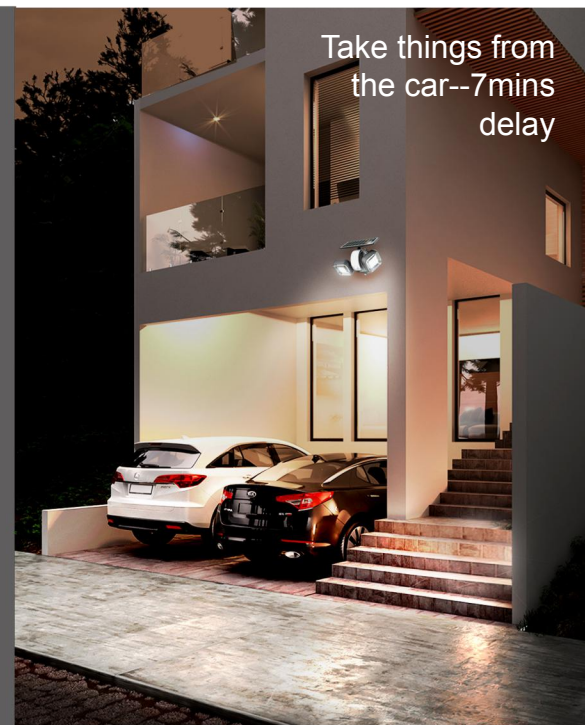
Aisle lighting--10S delay



Product Advantage

ALS Technology Guarantees 10 Continuous Working Nights
TCS Technology Ensures Longer Battery Lifespan

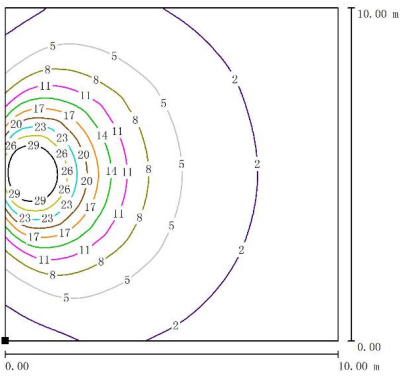
Take things from
the car--7mins
delay



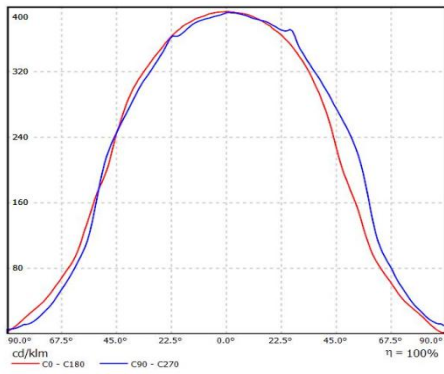
Adjust the lighting delay time from 10S~7mins

Item :	SWL-16	SWL-16H
Light Brightness	1000 Lumens	1000 Lumens
Solar panel		
Power	Monocrystalline , 2W	Monocrystalline , 2W
Li-ion battery		
Capacity	3.7V/2000mAH(7.4WH)	3.7V/2000mAH(7.4WH)
Charging/Discharging Temp	0~45°C / -20~60°C	-20~45°C / -20~60°C
Charging Time	5H	5H
LED (OSRAM)	2835 40pcs	2835 40pcs
Color Temp	5700K , Ra 80+	5700K , Ra 80+
Efficiency	190lm/W	190lm/W
UV LED	-	-
Performance		
Lighting Time in Rainyday	>10 days	>10 days
Control Mode	Button Switch , ON/OFF Long Press 1.5s , Short Press M1 -> M2 -> M3	
Lighting Mode	M1: 50LM+ PIR1000LM (10S) M2: 0LM+PIR(1000LM,10S) M3: 200LM(6H)	M1: 50LM+ PIR1000LM (10S) M2: 0LM+PIR(1000LM,10S) M3: 200LM(6H)
Mode Indication	M1: Red / M2: Green / M3: Orange , The mode indicator will change to the battery indicator after 5 seconds	
Capacity Indication	Green Light : ≥70% Orange Light : 30%~70% Red Light : <30%	Green Light : ≥70% Orange Light : 30%~70% Red Light : <30%
PIR	Yes, 10s – 7min	Yes, 10s – 7min
Core technology	ALS 2.4 / TCS 1.0	ALS 2.4 / TCS 1.0
Solar Panel Autoclean	-	-
IP/IK Class	IP65/IK10	IP65/IK10
Install Height	2.5M-3.5M	2.5M-3.5M

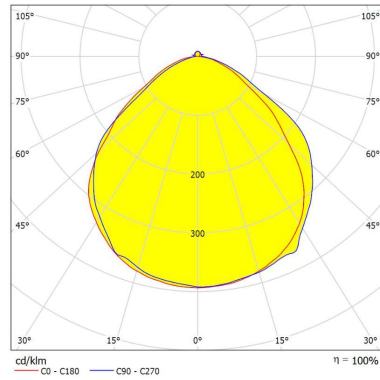
Road Simulated Diagram



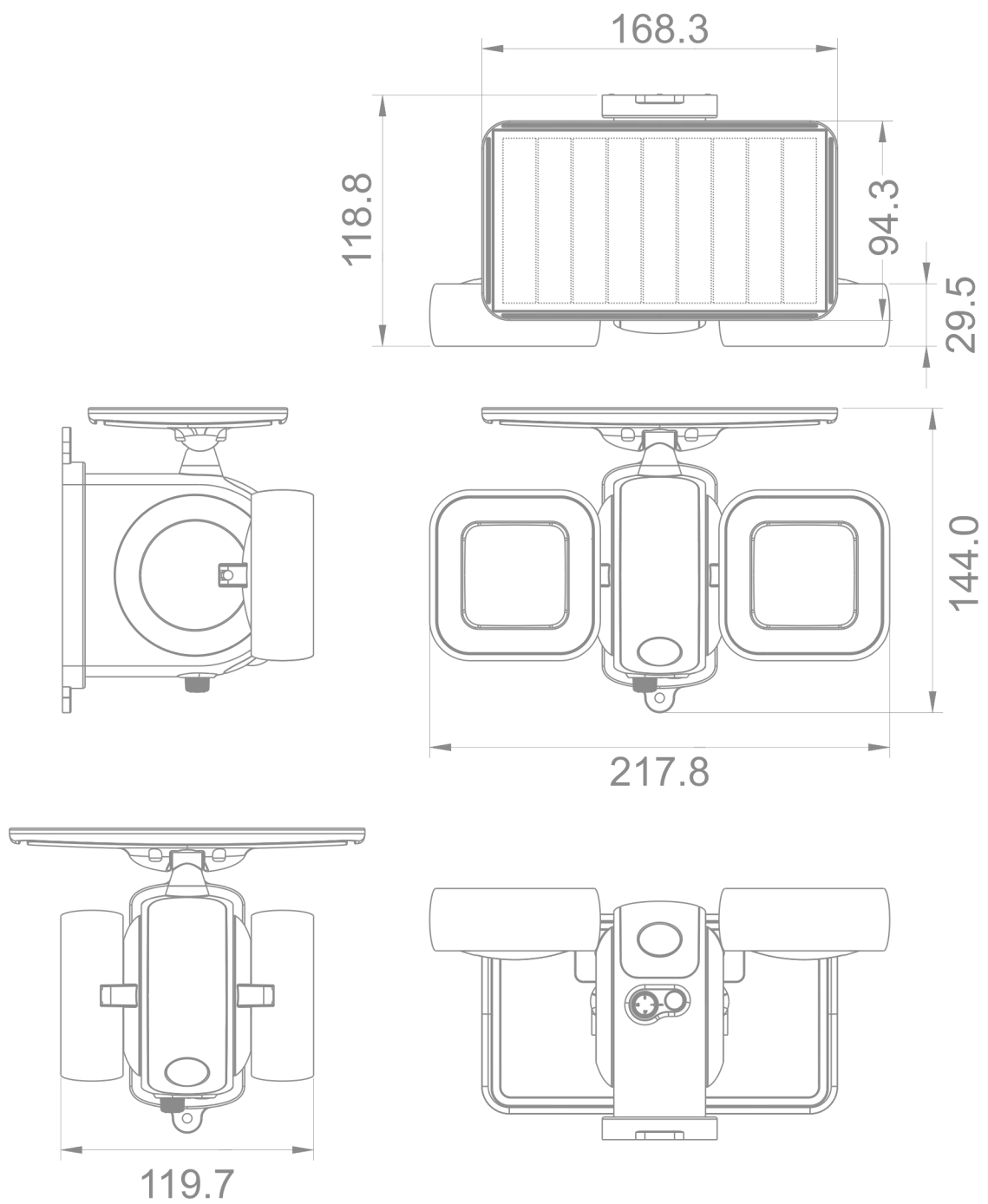
Illumination Curve



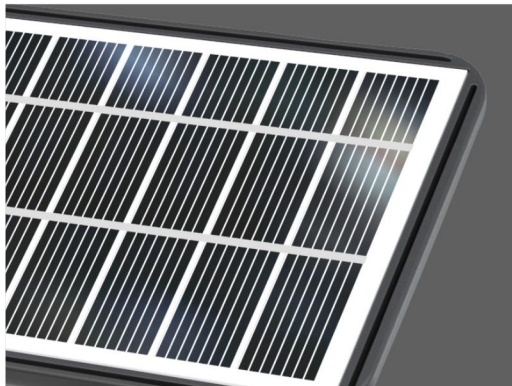
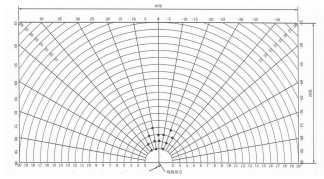
Luminance Distribution



SOLAR LIGHT I DIMENTION FIGURE



Detail Benefits



Solar Charging Efficiency :>21%



Back Details
Angel rotation



Back Details
Angel rotation



High lumen LEDs
190lm/W



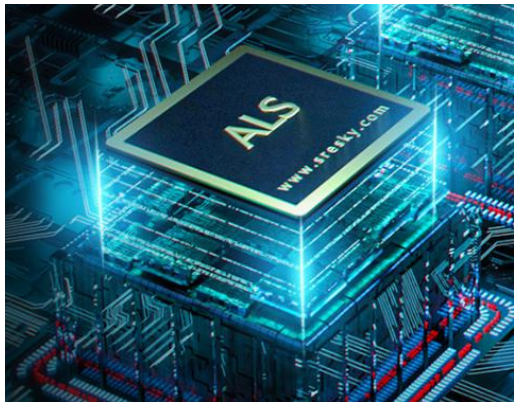
Timer
Switch



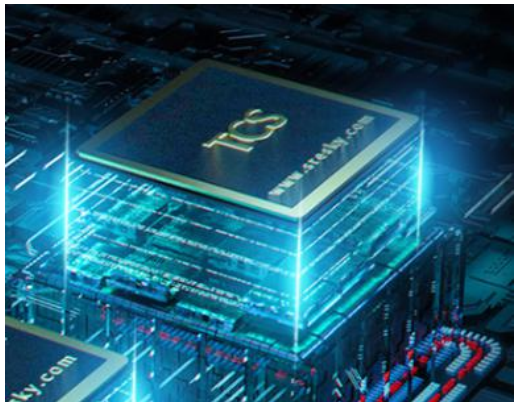
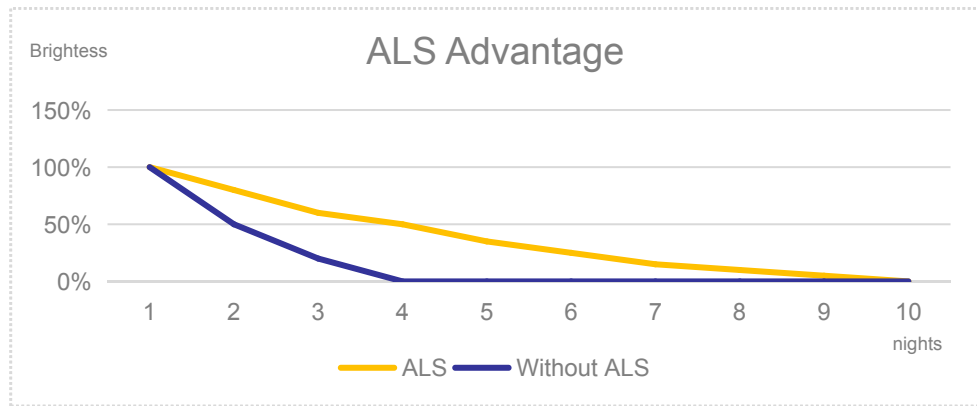
PIR : > 3m , 120°



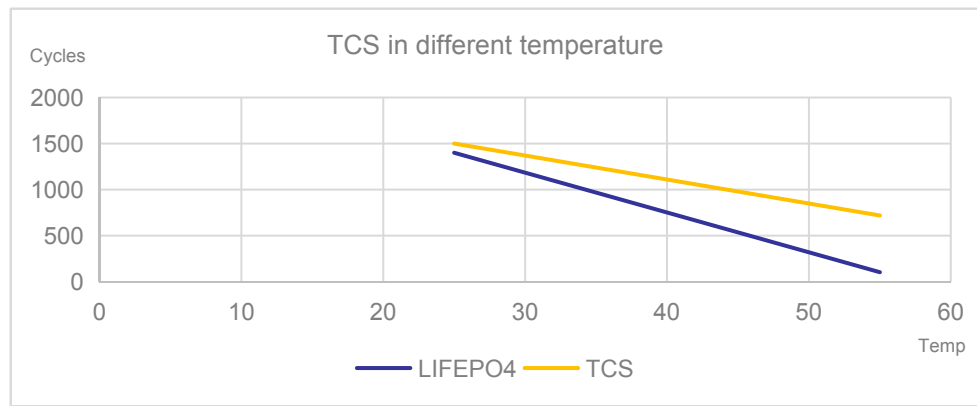
A Great Company should always pay the highest attention to the every detail design , and the craftsmanship spirit should be filled in the whole design process and mass production.



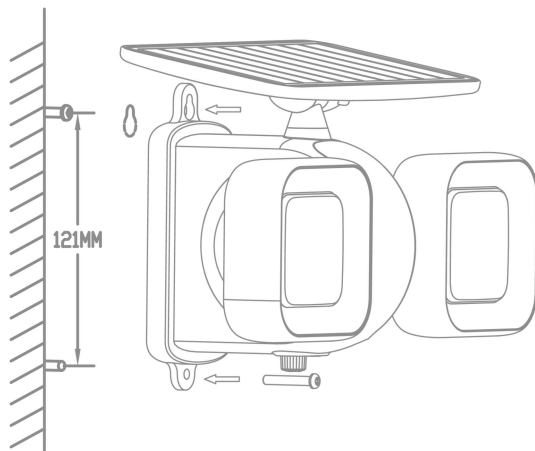
ADVANTAGE OF ALS



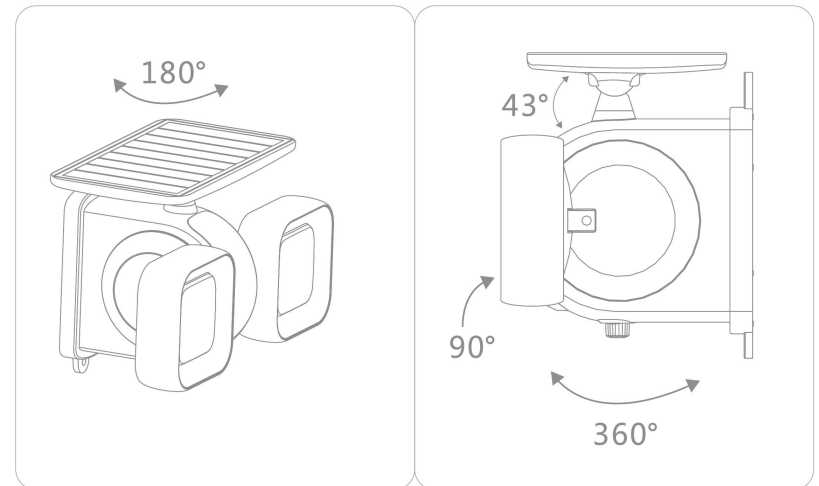
ADVANTAGE OF TCS



Easy to install, please use the supplied screws to fix the light on the wall or pole.



Multi-Angle



Keep the solar panel face the sunlight directly to ensure it can charge the inside Li-ion battery effectively.

PRODUCT LIST
BRACKET : 1 PC
INSTRUCTIONS : 1 PC
SCREW : 1 SET



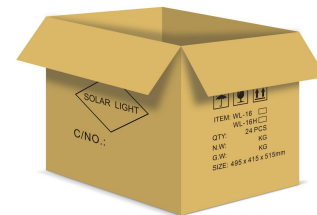
INNER BOX
1 PC / 1 BOX



1 LAYERS
1 LAYER = 24 BOXES



BRACKET CARTON
24 BOXES / CTN



CARTON

LAYER NUMBER

INNER BOX

PRODUCT LIST

STEP 1

STEP 2

STEP 3

STEP 4

MODEL NO.	PACKING METHOD	PCS/CTN	QTY(PCS)	CTN QTY	CARTON SIZE(MM)	N.W.(KG)	G.W.(KG)
SWL-16/16H	INNER BOX	1	1	1	198x118x162		
	CARTON	24	24	1	495x415x515		

Net weight and gross weight
are for reference only

S / O / L / A / R / L / I / G / H / T

THANKS
VERY
MUCH