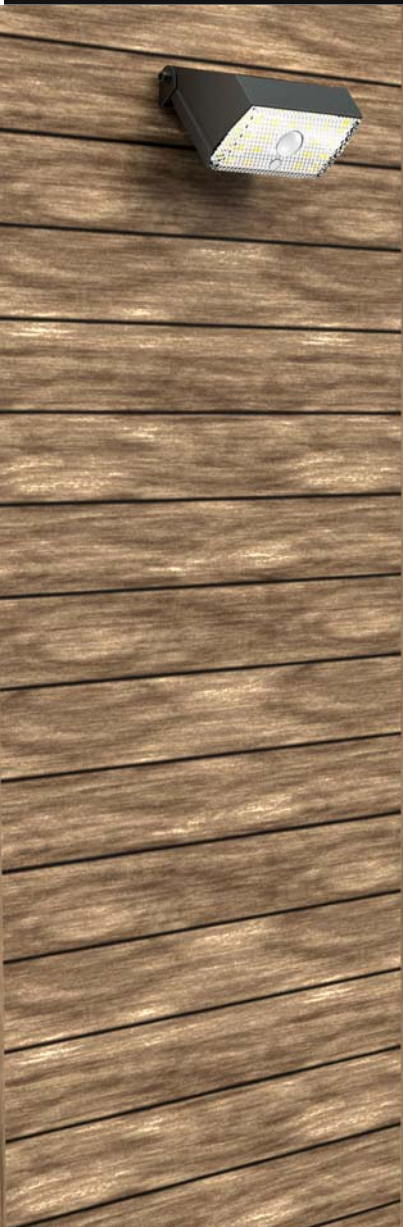




SPECIFICATION Of **1000** Lumens

Solar Light



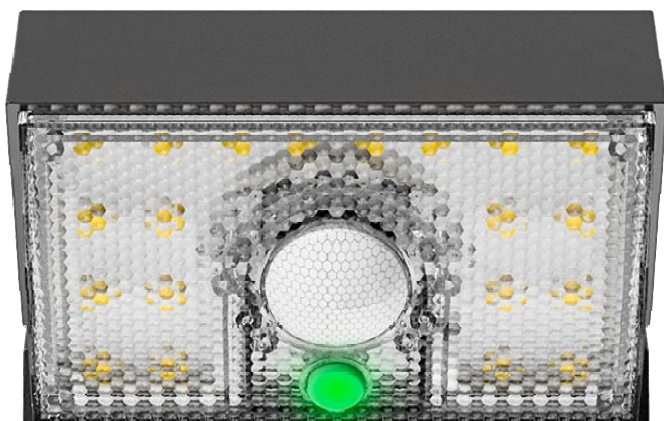
SPECIFICATIONS

Model No.	SWL-11
Lumens	1000lm (PIR)
LED quantity	20pcs
Power of solar panel	0.5W
Battery Spec	7.4Wh(2AH 3.7V)
IP	65
IK	06
Charging time	20 hours
Lighting time	5 days
Discharging temperature	-20°C~60°C
Charging temperature	0°C~45°C
Switch light sensor	≥50 Lux,on ≤10 Lux,off
Light modes	1、0+PIR(1000lm)10s; 2、20lm+PIR(1000lm)10s; 3、20lm till sunrise。
Beam angle	120°~140°
Material	Thermal Conductive Plastics
Warranty	1 years
 	

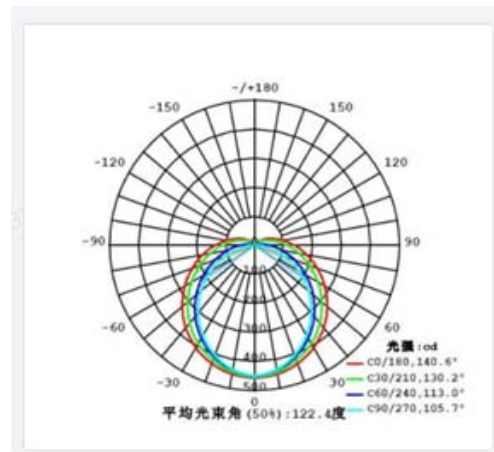
WORKING PROCESS INSTRUCTIONS

1. Only green indicator, M1: Flash the light once;
M2: Flash the light twice;
M3: Flash the light three time

Gre1 : 0+PIR(1000lm)10s;
:20lm+PIR(1000lm)10s;
:20lm till sunrise

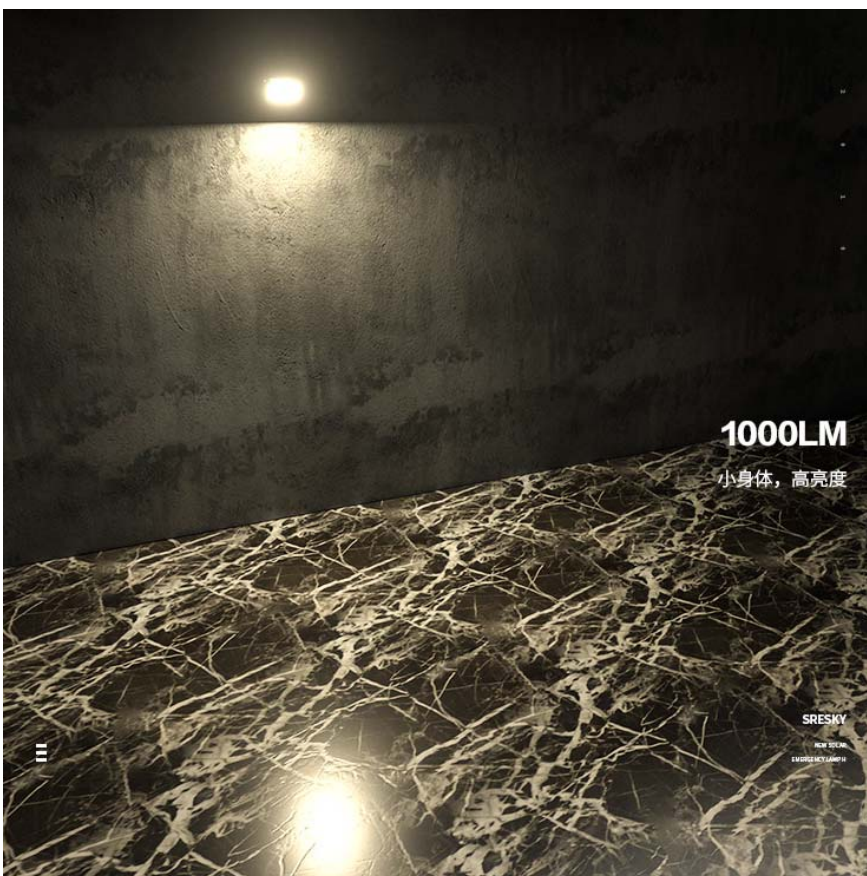


RECOMMEND DATA

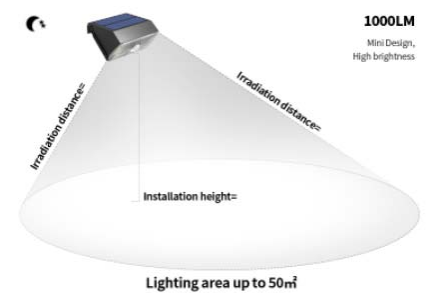


New technology:

ALS (adaptive lighting system): When meet bad weather lack of enough sun charge, the system will do smart timely calculation for the remaining battery capacity and give max output efficiency use for long lighting time.

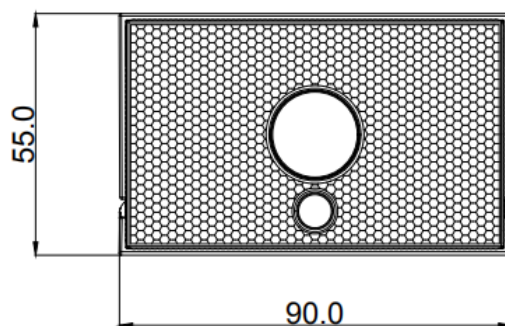
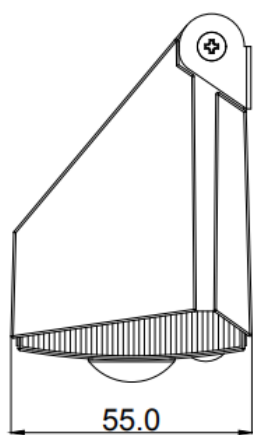
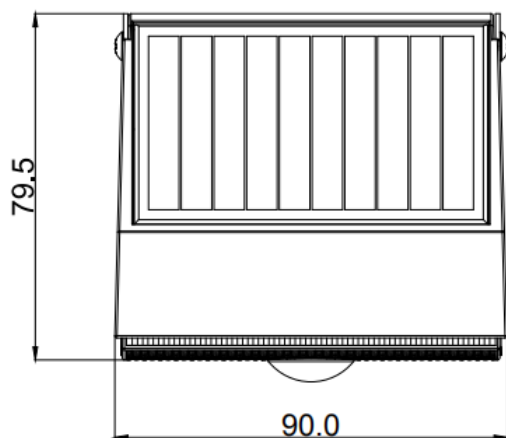


PIR >5m
Mounting height: 2.5m
Installing Distance: 3m



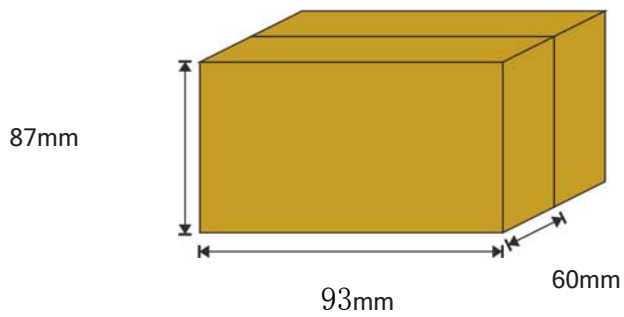
DIALUX road simulation map

PRODUCT SIZE



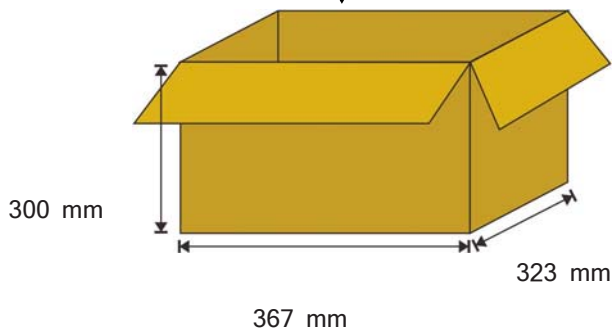
PRODUCT PACKAGING

BOX



CARTON

60PCS



Lamp Net Weight

16.5 KG